

PARTS LIST WITH ILLUSTRATIONS

(HHJM164Y)



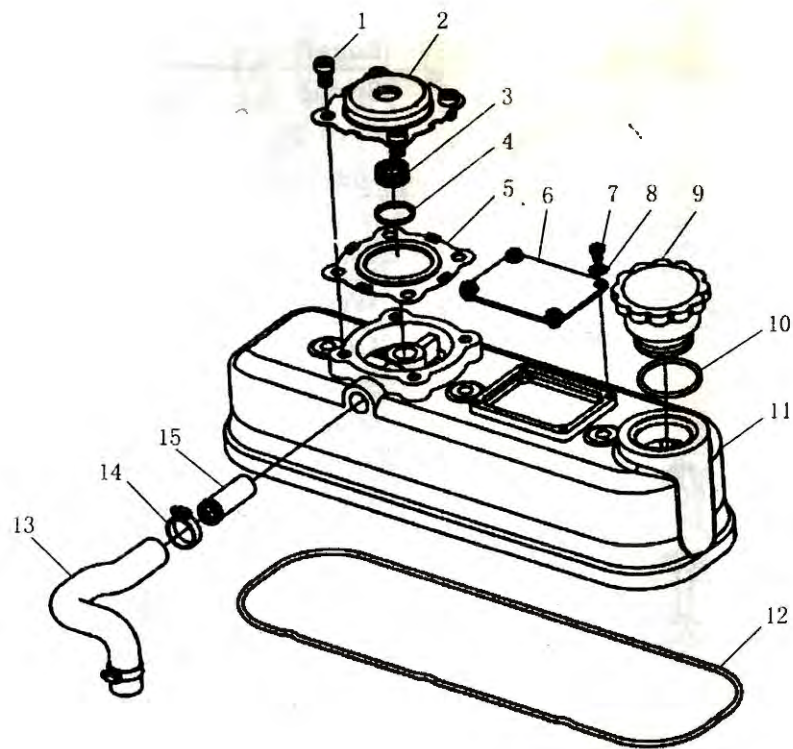
MAHINDRA YUEDA (YANCHENG) TRACTR CO., LTD.
(Former Jiangsu Yueda Yancheng Tractor Manufacturing Co., Ltd.)

黄海金马-164Y系列轮式拖拉机部件组成表

Parts Catalogue of Huanghai JinMa-164Y Series Wheel Tractor

一、发动机 (3M78) —— Engine (3M78)

序号 Ser.No.	名 称	Name	页号
			Page
1	气缸盖罩总成	Cylinder Head Cover Assembly	1-1
2	气缸盖总成	Cylinder Head Assembly	1-3
3	机体总成 (一)	Cylinder Block Assembly (One)	1-6
4	机体总成 (二)	Cylinder Block Assembly (Two)	1-9
5	正时齿轮系总成	Timing Gear Train	1-13
6	活塞连杆总成	Piston and Connecting Rod Assembly	1-15
7	曲轴飞轮总成	Crankshaft and Flywheel Assembly	1-17
8	凸轮轴总成	Camshaft Assembly	1-19
9	水泵风扇总成	Water Pump and Fan Assembly	1-21
10	进、排气管总成	Intake and Exhaust Pipe Assembly	1-23
11	油底壳总成	Oil Sump Assembly	1-25
12	齿轮室盖总成	Gear Housing Cover Assembly	1-27
13	燃油管路总成	Fuel System	1-30
14	机油集滤器总成	Oil Suction Strainer Assembly	1-32
15	节温器总成	Thermostat Assembly	1-34
16	调速部件总成	Governing Component Assembly	1-36
17	发电机、起动机、液压泵电压调节器总成	Generate/Starting Motor/Hydraulic Pump/Voltage Regulator A	1-39
18	空滤、消声器总成	Air Filter and Silencer Assembly	1-41



气缸罩盖总成

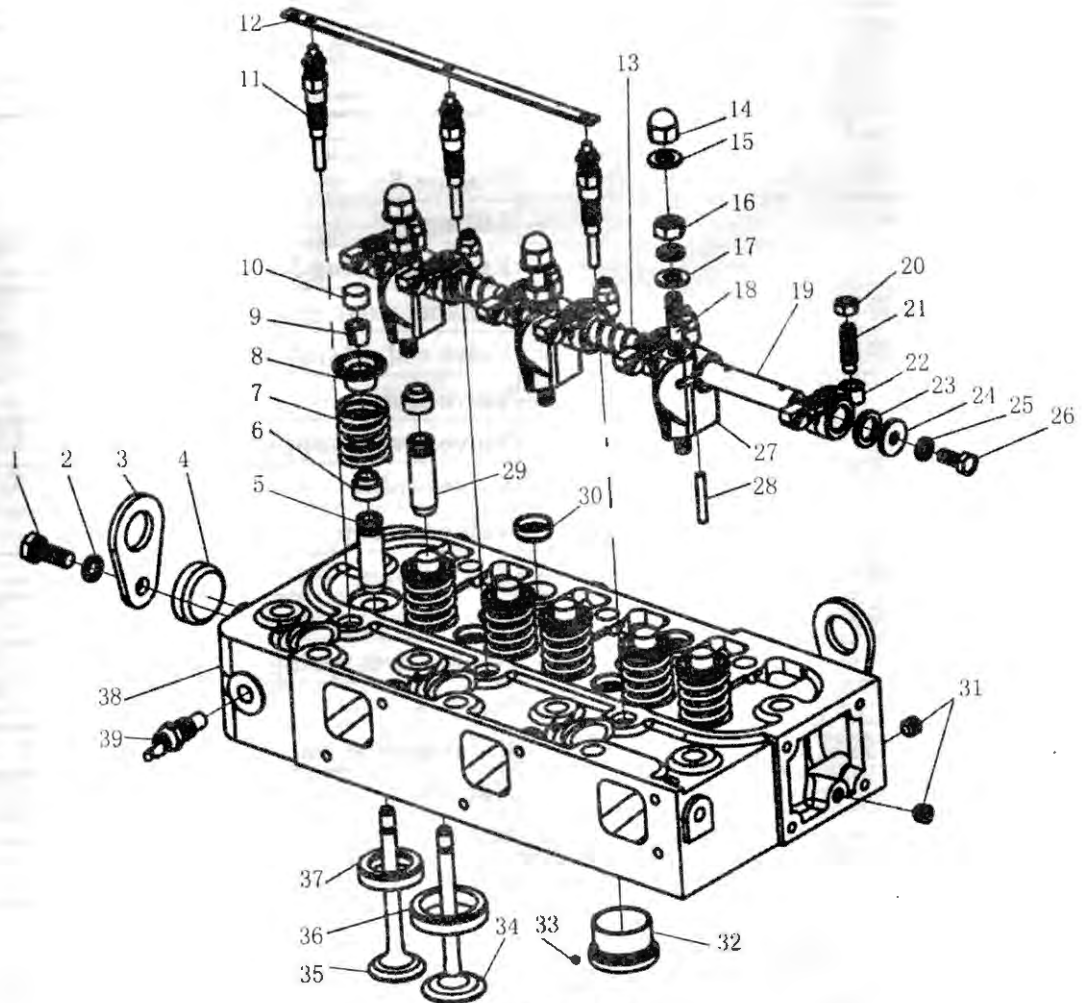
Cylinder Head Cover Assembly

1-1

气缸盖罩总成

Cylinder Head Cover Assembly

序号 Ser.No.	代号 Part No.	名称	Name	数量Qty.
				164Y
1	GB/T65	螺钉	Screw	4
2	4B28V16-012001	阀盖	Bonnt	1
3	4B28V16-012004	弹簧	Spring	1
4	4B28V16-012003	弹簧座	Spring seat	1
5	4B28V16-012002	膜片	Diaphragm	1
6	3M78-010005	铭牌	Name plate	1
7	GB/T65	螺钉	Screw	4
8	GB/T97.1	垫圈	Washer	4
9	4L88-011001	加油口盖	Oil filling cover	1
10	GB/T3452.1	O型密封圈	Seal ring	1
11	3M78-011000	气缸盖罩合件	Cylinder head cover component	1
12	3M78-010002-1	气缸盖罩密封圈	Cylinder head cover seal ring	1
13	3M78-010004	呼吸器弯管	Breather bent pipe	1
14	QC/T619	蜗杆传动式软管环箍	Hoop	2
15	3M78-010003	呼吸器接管	Breather connecting pipe	1



气缸盖总成

Cylinder Head Assembly

气缸盖总成

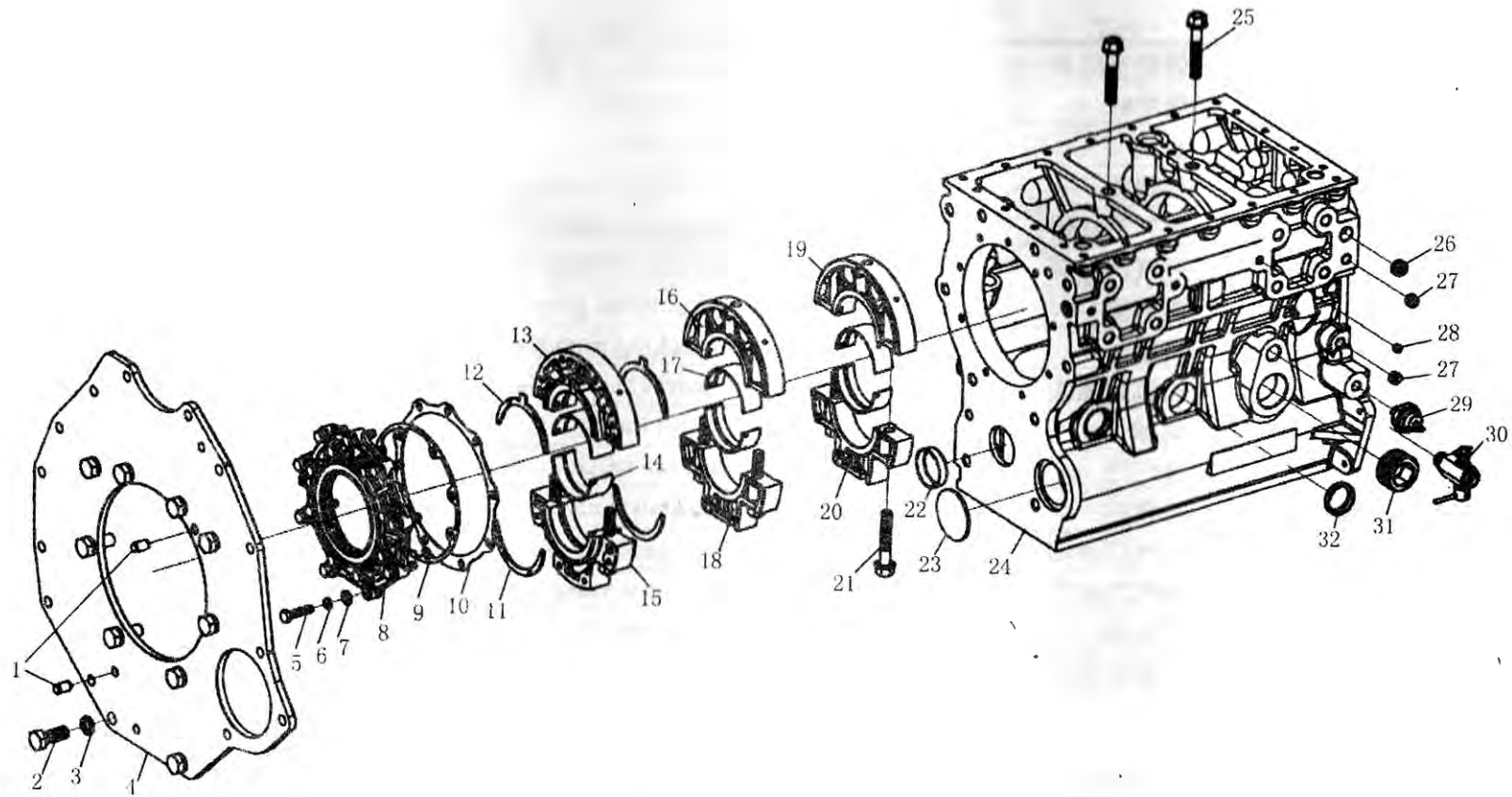
Cylinder Head Assembly

序号 Ser.No.	代号 Part No.	名称	Name	数量Qty.
				164Y
1	GB/T5783	螺栓M8×20	Bolt M8×20	2
2	GB/T93	垫圈8	Washer 8	5
3	3M78-020001	吊耳	Lifting eye	2
4	N85-03102	碗形塞30	Expansion plug 30	1
5	3M78-021003A	排气门导管	Exhaust valve guide	3
6	3M78-010005	气门阀杆油封QB7×12×9.5	Valve rod oil seal QB7×12×9.5	6
7	3M78-020004	气门弹簧	Valve spring	6
8	3M78-020003	气门弹簧座	Valve spring support	6
9	3M78-020005	气门锁夹	Valver collet	12
10	3M78-020002	气门顶帽	Valve top cap	6
11	M78-023000	电热塞部件	Electro plug	3
12	3M78-020012	电热塞接线板	Electro plug wiring board	1
13	3M78-022002	摇臂弹簧	Rocker arm spring	2
14	GB/T923	螺母 M8	Nut M8	3
15	QJ/MD05.01	A型组合密封垫圈 8	Combination washer 8	3
16	GB/T6170	螺母 M8	Nut M8	3
17	GB/T97.1	垫圈 8	Washer 8	3
18	3M78-020011	摇臂螺柱	Rocker arm double-screw bolt	3
19	3M78-022003	摇臂轴	Rocker arm shaft	1
20	GB/T6171	螺母 M8	Nut M8	6
21	3M78-022004	气门间隙调整螺钉	Valve clearance adjusting screw	6
22	3M78-022005-1	气门摇臂	Valve rocker arm	6
23	3M78-022006	调整垫圈 I	Adjusting washer I	2

气缸盖总成

Cylinder Head Assembly

序号 Ser.No.	代号 Part No.	名称	Name	数量Qty.
				164Y
24	3M78-022007	调整垫圈 II	Adjusting washer II	2
25	GB/T93	垫圈6	Washer 6	2
26	GB/T5780	螺栓	Bolt M6×10	2
27	3M78-022001	摇臂座	Rocker arm seat	3
28	GB/T879.2	弹性圆柱销	Elastic cylindrical pin 4×28	1
29	3M78-021004A	进气门导管	Intake valve guide	3
30	N85-02102	碗形塞	Expansion plug 18	4
31	3M78-020006-1	堵塞	Blocking plug NPT1/16	2
32	3M78-021001A	涡流室镶块	Swirl chamber insert	3
33	GB/T308	钢球	Steel ball 3	3
34	2M78-020003	进气门	Intake valve	3
35	2M78-020004	排气门	Exhaust valve	3
36	3M78-021005	进气门座圈	Intake valve seat ring	3
37	3M78-021006	排气门座圈	Exhaust valve seat ring	3
38	3M78-021002-2	气缸盖	Cylinder head	1
39	3M78-024000-1	水温传感器部件	Water temperature sensor	1



机体总成 (一)
Cylinder Block Assembly (One)

机体总成 (一)

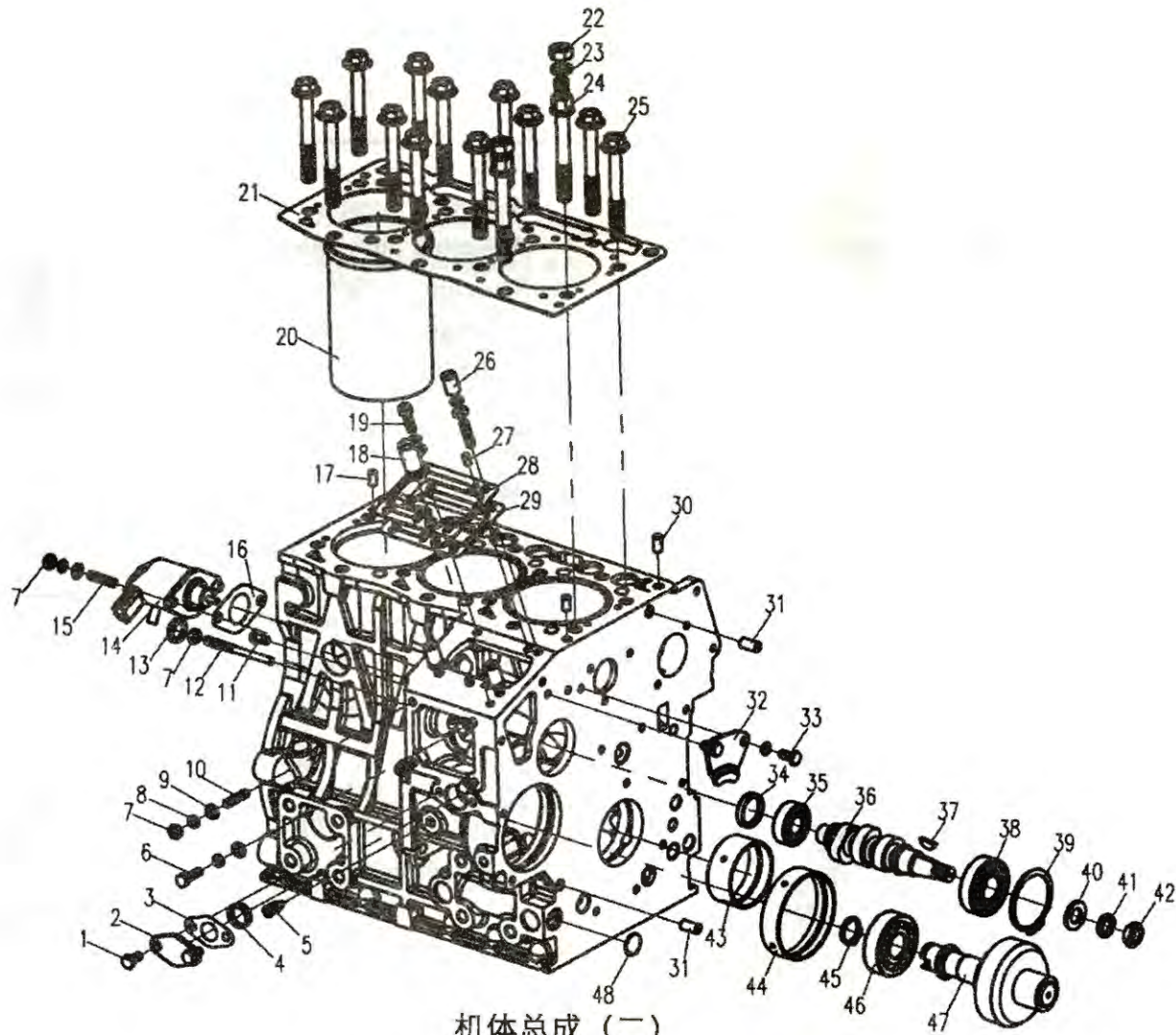
Cylinder Block Assembly (One)

序号 Ser.No.	代号 Part No.	名称	Name	数量Qty.
				164Y
1	GB/T119.1	圆柱销 8h8×14	Clindrical pin	2
2	GB/T5783	螺栓 M10×25	Bolt M10×25	10
3	GB/T93	弹簧垫圈	Spring washer 10	10
4	3M78-030002B	飞轮壳	Flywheel housing	1
5	GB/T5783	螺栓 M6×25	Bolt M6×25	17
6	GB/T93	垫圈 6	Washer 6	17
7	GB/T97.1	垫圈 6	Washer 6	17
8	3M78-030016	曲轴端盖	Crankshaft end cover	1
9	3M78-030018A	主轴承端垫片	Main bearing end gasket	1
10	3M78-030017A	后油封端盖垫片	Rear oil seal cover gasket	1
11	3M78-031015	上止推片	Crankshaft thrust plate(upper)	2
12	3M78-031014	下止推片	Crankshaft thrust plate(lower)	2
13	3M78-031302	飞轮端主轴承座	Flywheel main bearing support	1
14	3M78-031013	后主轴瓦	Lower main bearing shell	2
15	3M78-031301	飞轮端主轴承盖	Flywheel main bearing cover	1
16	3M78-031202	第三主轴承座	3rd main bearing support	1
17	3M78-031012	中间主轴瓦	Middle main bearing shell	4
18	3M78-031201	第三主轴承盖	3rd main bearing cover	1
19	3M78-031102	第二主轴承座	2nd main bearing support	1
20	3M78-031101	第二主轴承盖	2nd main bearing cover	1
21	3M78-031103	主轴承盖螺栓	Main bearing cover bolt	6
22	CC4105Q-030022	碗形塞 Φ35	Expansion plug Φ35	1
23	3M78-031010	凸轮轴闷盖	Camshaft expansion plug	1

机体总成 (一)

Cylinder Block Assembly (One)

序号 Ser.No.	代号 Part No.	名 称	Name	数量Qty.
				164Y
24	3M78-031001	机体	Cylinder block	1
25	3M78-031011	主轴承座固定螺栓	Main bearing support bolt	2
26	3M78-031002-1	堵塞	Blocking plug 14	3
27	3M78-031007-1	螺塞	Screw plug NPT1/8	2
28	3M78-020006-1	堵塞	Blocking plug NPT1/16	3
29	3M78-032000	机油压力报警器	Oil pressure sensor	1
30	4L68-032000	放水开关	Water switch	1
31	3M78-031008	螺塞 R1	Screw plug R1	1
32	N85-02109	碗形塞	Expansion plug $\Phi 26$	4



机体总成 (二)

Cylinder Block Assembly (Two)

机体总成 (二)

Cylinder Block Assembly (Two)

序号 Ser.No.	代号 Part No.	名称	Name	数量Qty.
				164Y
1	GB/T5783	螺栓 M6X14	Bolt M6X14	2
2	3M78-030021	喷油泵调速轴盖	Injection pump governing shaft cover	1
3	3M78-030022A	喷油泵调速轴盖垫片	Injection pump governing shaft gasket	1
4	3M78-183006	轴承挡圈	Bearing circlip	1
5	3M78-030023	轴承限位螺钉	Bearing limiting post screw	1
6	GB/T5783	螺栓 M6×20	BoltM6x20	2
7	GB/T6170	螺母 M6	Nut M6	5
8	GB/T93	垫圈 6	Washer 6	12
9	GB/T97.1	垫圈 6	Washer 6	10
10	GB/T897	双头螺柱 M6×20	Double-screw bolt M6x20	5
11	3M78-030013	怠速弹簧销	Idle spring pin	1
12	3M78-030024	限油支杆	Limiting oil support rod	1
13	3M78-030014	调整螺钉孔闷盖	Adjusting screw hole cap	1
14	3M78-230000	电停油总成	Electronic cut-out device assembly	1
15	3M78-030031	双头螺柱	Double-screw bolt	2
16	3M78-030027	电停油垫片	Electronic cut-out device gasket	1
17	GB/T119.1	圆柱销 10h8×18	Cylindrical pin 10h8?8	2
18	3M78-360000	调速限位合件	Governing limiting post component	1
19	GB/T70.1	内六角圆柱头螺钉 M6×20	Inner hexagon cylindrical bolt M6?0	1
20	3M78-030011	气缸套	Cylinder liner	3
21	3M78-030019	气缸盖垫片	Cylinder head gasket	1
22	GB/T6171	螺母 M10×1.25	Nut M10x1.25	2
23	GB/T93	垫圈 10	Washer 10	2

机体总成 (二)

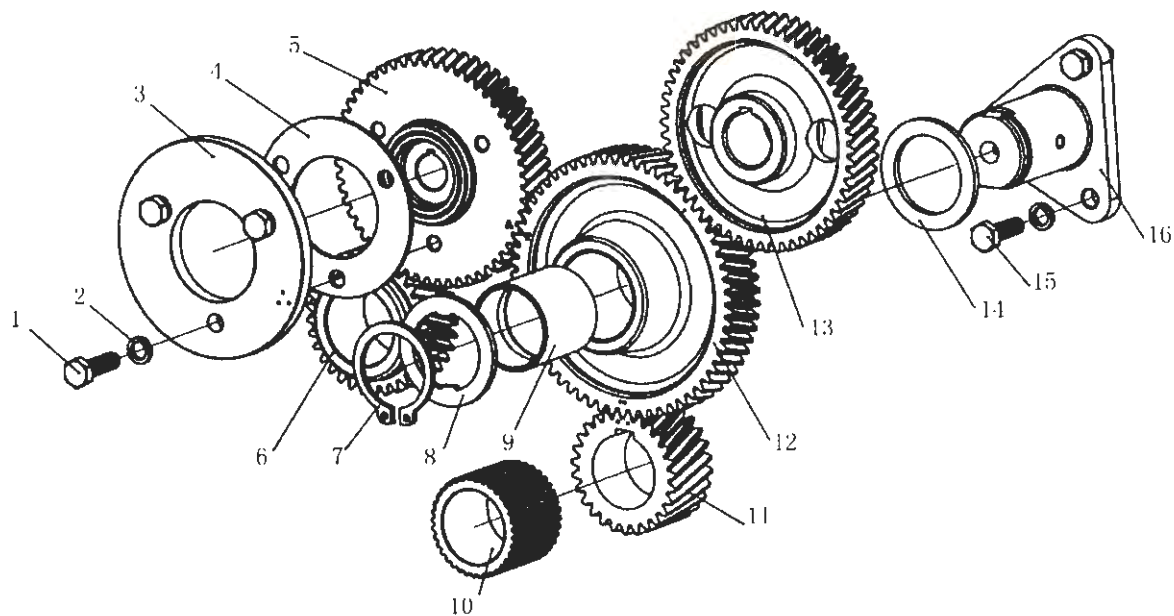
Cylinder Block Assembly (Two)

序号 Ser.No.	代号 Part No.	名称	Name	数量Qty.
				164Y
24	3M78-030008	气缸盖螺柱	Cylinder head double-screw bolt	2
25	3M78-030009	气缸盖螺栓	Cylinder head bolt	12
26	3M78-030006	内六角螺母	Inner hexagonal nut	3
27	GB/T119.1-2000	圆柱销5h8×10	Cylindrical pin5h8×10	2
28	3M78-030020A	喷油泵垫片	Injection pump gasket	3
29	3M78-030028	喷油泵垫片	Injection pump gasket	1
30	3M78-030010	油孔销	Oil hole pin	1
31	3M78-030001	齿轮室盖定位套	Gear housing dowel sleeve	2
32	3M78-030005	油泵凸轮轴卡片	Oil pummp camshaft thrust plate	1
33	GB/T5783-2000	螺栓 M6×12	Bolt M6×12	2
34	3M78-030015	喷油泵轴端盖	Injection pump shaft-end cover	1
35	GB/T276-94	轴承 6202	Bearing 6202	1
36	3M78-180002	喷油泵凸轮轴	Injection pump camshaft	1
37	GB/T1099.1-2003	键 3×6.5×16	Key 3×6.5×16	1
38	GB/T276-94	轴承 6204EN	Bearing 6204EN	1
39	GB/T894.1-86	挡圈 48	Circlip 48	1
40	GB/T97.1-2002	垫圈 12	Washer 12	1
41	GB/T93-87	垫圈 12	Washer 12	1
42	GB/T6173-2000	螺母 M12×1.5	Nut M12×1.5	1
43	3M78-031009	主轴衬套	Main shaft bushing	1
44	3M78-031004	调速器轴衬套	Governor shaft bushing	1
45	3M78-184010	卡圈	Collar	1
46	GB/T276	轴承 6304	Bearing 6304	1

机体总成 (二)

Cylinder Block Assembly (Two)

序号 Ser.No.	代号 Part No.	名 称	Name	数量Qty.
				164Y
47	3M78-184000	飞块部件	Flywheel component	1
48	3M78-031003	机油孔闷盖	Oil hole cap	3

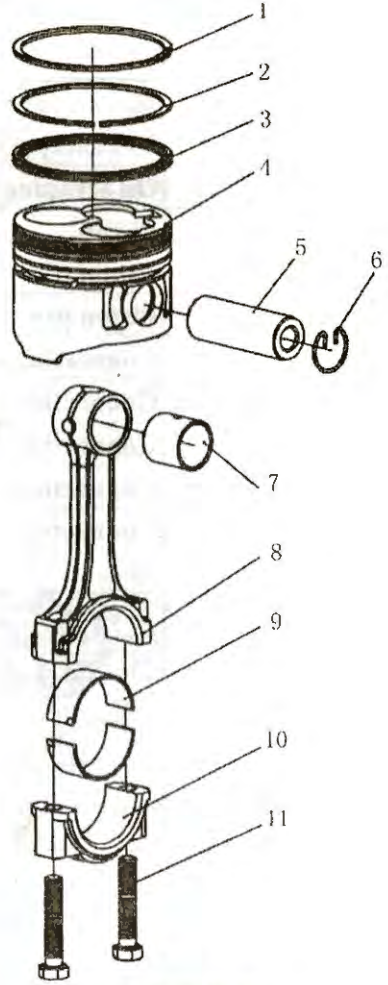


正时齿轮系总成
Timing Gear Train

正时齿轮系总成

Timing Gear Train

序号 Ser.No.	代号 Part No.	名称	Name	数量Qty.
				164Y
1	GB/T 5783	螺栓M6×20	Bolt M6×20	3
2	GB/T 93	垫圈 6	Washer 6	6
3	3M78-040009	输油泵凸轮	Delivery pump cam	1
4	3M78-040008	输油泵凸轮垫片	Delivery pump cam gasket	1
5	3M78-040007	喷油泵正时齿轮	Fuel injection pump timing gear	1
6	3M78-040010	液压泵齿轮	Hydraulic pump gear	1
7	3M78-040003	正时惰齿轮轴挡圈	Timing idle gear shaft circlip	1
8	3M78-040002	正时惰齿轮轴卡圈	Timing idle gear shaft collar	1
9	3M78-041002	正时惰齿轮轴衬套	Timing idle gear shaft bushing	1
10	3M78-060003	机油泵花键	Oil pummp spline	1
11	3M78-040006	曲轴正时齿轮	Crankshaft timing gear	1
12	3M78-041001	正时惰齿轮	Timing idle gear	1
13	3M78-040001	凸轮轴正时齿轮	Camshaft timing gear	1
14	3M78-040005	正时惰齿轮轴垫片	Timing idle gear shaft gasket	1
15	GB/T 5783	螺栓M6×18	Bolt M6×18	3
16	3M78-040004	正时惰齿轮轴	Timing idle gear shaft	1



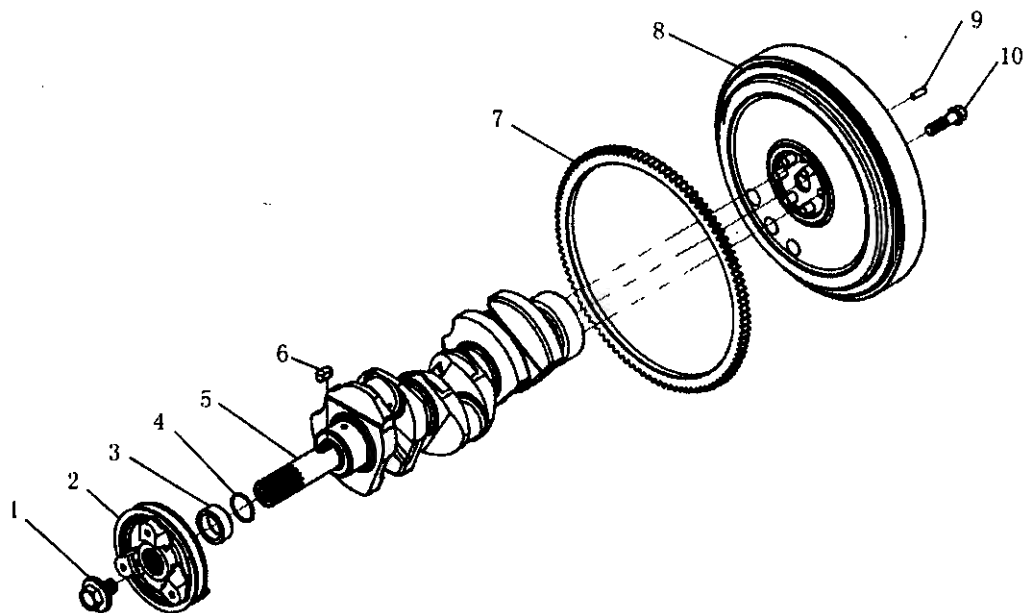
活塞连杆总成

Piston and Connecting Rod Assembly

活塞连杆总成

Piston and Connecting Rod Assembly

序号 Ser.No.	代号 Part No.	名称	Name	数量Qty.
				164Y
1	3M78-050003	第一道气环	1st compression ring	3
2	3M78-050004	第二道气环	2nd compression ring	3
3	3M78-051000	油环组件	Oil scraping ring	3
4	3M78-050001-1	活塞	Piston	3
5	3M78-050002	活塞销	Piston pin	3
6	3M78-050005	活塞销挡圈	Piston pin circlip	6
7	3M78-052004	连杆衬套	Connecting rod bushing	3
8	3M78-052003	连杆体	Connecting rod	3
9	3M78-050006-1	连杆轴瓦	Connecting rod shaft shell	6
10	3M78-052002	连杆盖	Connecting rod cap	3
11	3M78-052001	连杆螺栓	Connecting rod bolt	6

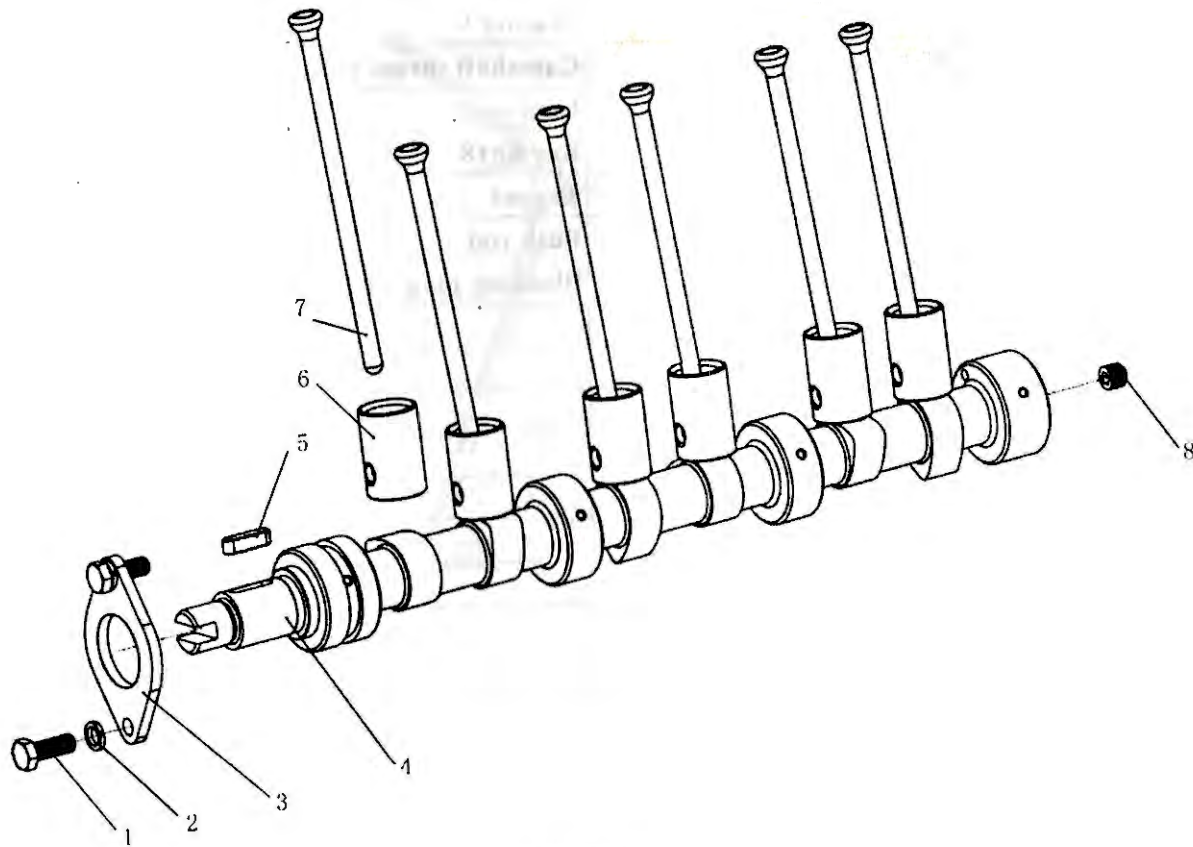


曲轴飞轮总成
Crankshaft and Flywheel Assembly

曲轴飞轮总成

Crankshaft and Flywheel Assembly

序号 Ser.No.	代号 Part No.	名称	Name	数量Qty.
				164Y
1	3M78-060006	皮带轮螺栓	Belt pulley bolt	1
2	3M78-060005	皮带轮	Belt pulley	1
3	3M78-060004	前端油封挡圈	Front oil seal circlip	1
4	GB/T3452.1	O型密封圈 28×1.8	Seal ring 28X1.8	1
5	3M78-060001	曲轴	Crankshaft	1
6	GB/T1096	键	Key	1
7	3M78-061002	齿圈	Gear ring	1
8	3M78-061001B	飞轮	Flywheel	1
9	GB/T119.2	销	Pin	1
10	3M78-060010	飞轮螺栓	Flywheel bolt	6

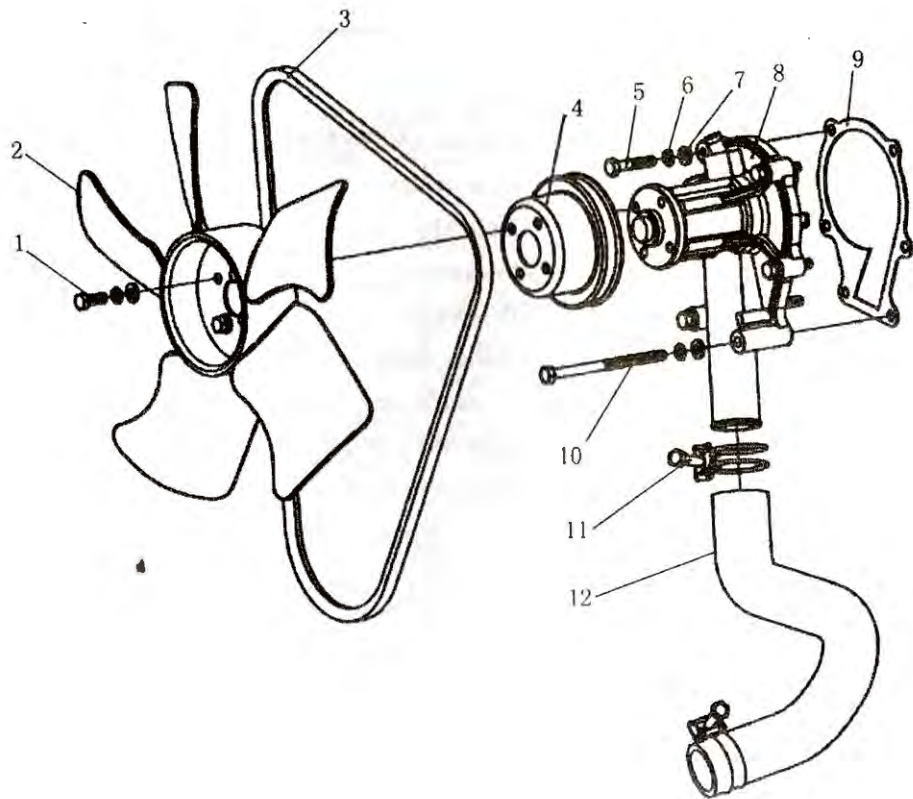


凸轮轴总成
Camshaft Assembly

凸轮轴总成

Camshaft Assembly

序号 Ser.No.	代号 Part No.	名称	Name	数量Qty.
				164Y
1	GB/T5783	螺栓M6×16	BoltM6×16	2
2	GB/T93	垫圈6	Washer 6	2
3	3M78-070001	凸轮轴止推片	Camshaft thrust plate	1
4	3M78-070004	凸轮轴	Camshaft	1
5	GB/T1096	键5×18	Key 5×18	1
6	3M78-070002	挺柱	Tappet	6
7	3M78-070003	推杆	Push rod	6
8	3M78-020006-1	堵塞 NPT1/16	Blocking plug NPT1/16	1



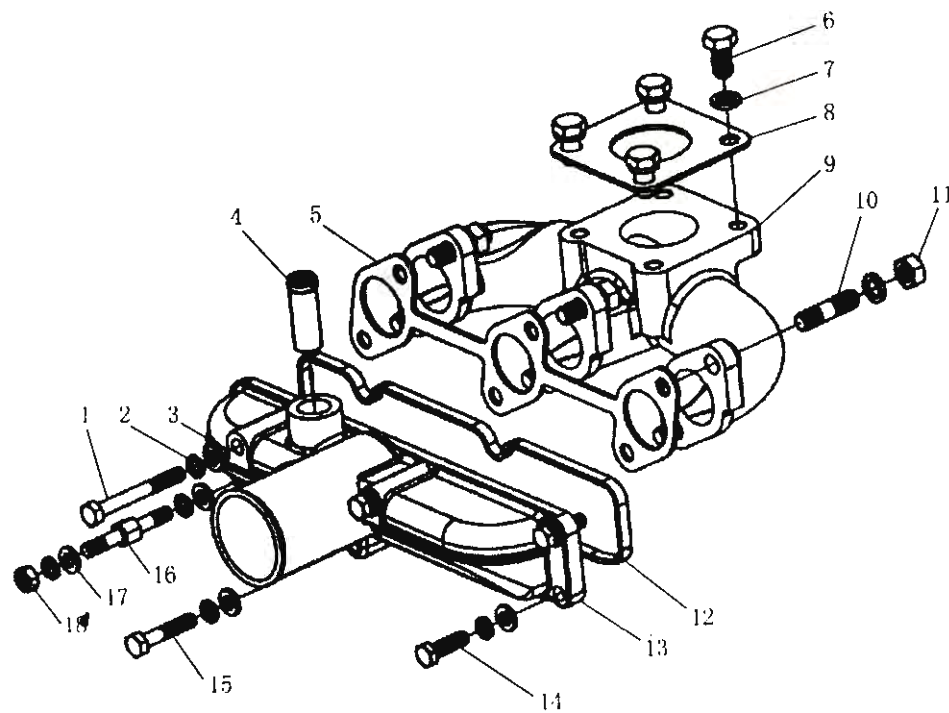
水泵风扇总成

Water Pump and Fan Assembly

水泵风扇总成

Water Pump and Fan Assembly

序号 Ser.No.	代号 Part No.	名称	Name	数量Qty.
				164Y
1	GB/T5783	螺栓M6×16	BoltM6×16	4
2	3M78-082000	风扇部件	Fan	1
3	GB/T12732	汽车V带 AV10×935La	V-belt AV10×935La	1
4	3M78-080002	风扇皮带轮	Fan pulley	1
5	GB/T5782	螺栓M6×30	Bolt M6×30	4
6	GB/T93	垫圈6	Washer 6	10
7	GB/T97.1	垫圈6	Washer 6	10
8	3M78-081000	水泵部件	Water pump housing	1
9	3M78-120001A	水泵垫片	Water pump gasket	1
10	GB/T5782	螺栓 M6×90	Bolt M6×90	2
11	QC/T620	A型蜗杆传动式环箍 Q67535	Hoop Q67535	2
12	3M78-080002	水泵出水管	Output pipe	1



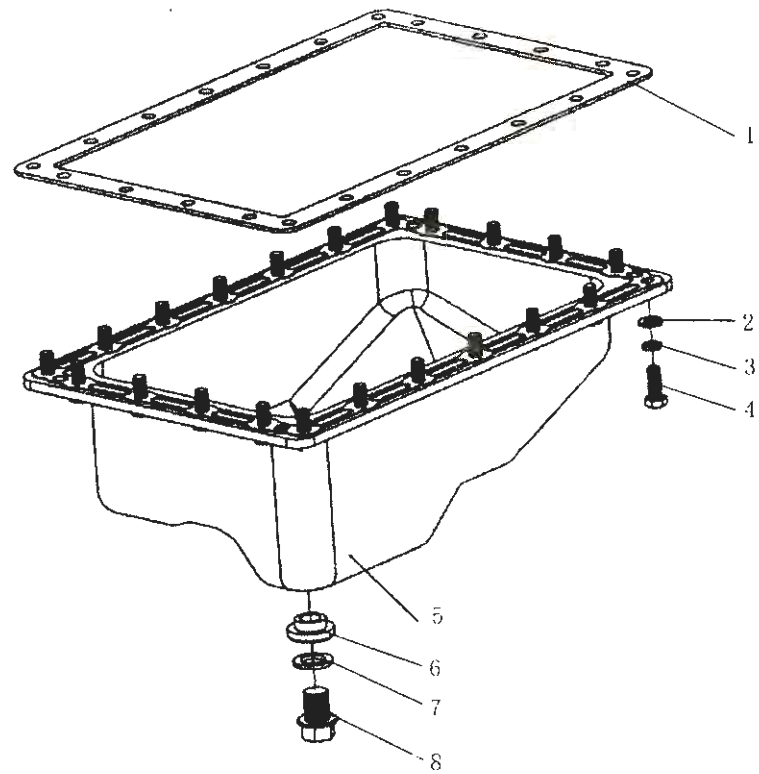
进、排气管总成

Intake and Exhaust Pipe Assembly

进、排气管总成

Intake and Exhaust Pipe Assembly

序号 Ser.No.	代号 Part No.	名称	Name	数量Qty.
				164Y
1	GB/T5782	螺栓M6X50	Bolt M6X50	2
2	GB/T97.1	垫圈6	Washer 6	6
3	GB/T93	垫圈6	Washer 6	7
4	3M78-010003	呼吸器接管	Breather connecting pipe	1
5	3M78-020010	排气管垫片	Exhaust pipe gasket	1
6	GB/T5783	螺栓M8×16	Bolt M8×16	4
7	GB/T93	垫圈8	Washer 8	11
8	3M78-100002	垫片	Gasket	1
9	3M78-100001	排气管	Exhaust pipe	1
10	GB/T898	螺柱M8X22	Double-screw bolt M8X22	6
11	GB/T6170	螺母M8	Nut M8	6
12	3M78-090003	进气管密封圈	Intake pipe seal ring	1
13	3M78-090001A	进气管	Intake pipe	1
14	GB/T5782	螺栓M6X20	Bolt M6X20	2
15	GB/T5782	螺栓M6X30	Bolt M6X30	1
16	3M78-020016	螺柱	Double-screw bolt	1
17	GB/T97.1	垫圈8	Washer 8	1
18	GB/T6170	螺母M8	Nut M8	1

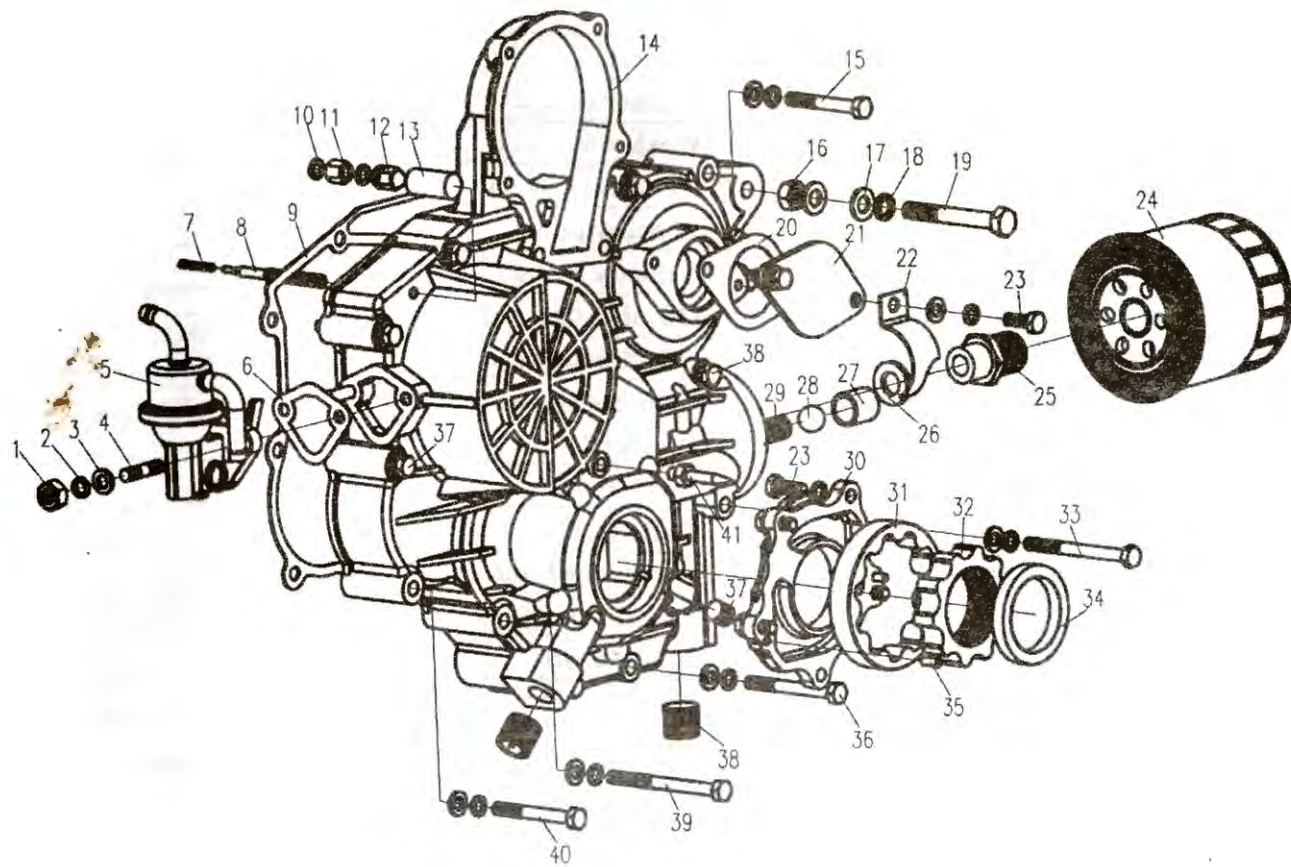


油底壳总成
Oil Sump Assembly

油底壳总成

Oil Sump Assembly

序号 Ser.No.	代号 Part No.	名称	Name	数量Qty.
				164Y
1	3M78-030012	油底壳垫片	Oil sump gasket	1
2	GB/T97.1	垫圈6	Washer 6	22
3	GB/T93	垫圈6	Washer 6	22
4	GB/T5783	螺栓M6×16	Bolt M6×16	22
5	3M78-110001	油底壳	Oil sump	1
6	3M78-110002	管接螺母M12×1.25	Union nut M12×1.25	1
7	QJ/MD05.01	A型组合密封垫圈 12	Combination washer 12	1
8	3M78-110004	放油螺栓M12×1.25	Oil outlet bolt M12×1.25	1



齿轮室盖总成

Gear Housing Cover Assembly

齿轮室盖总成

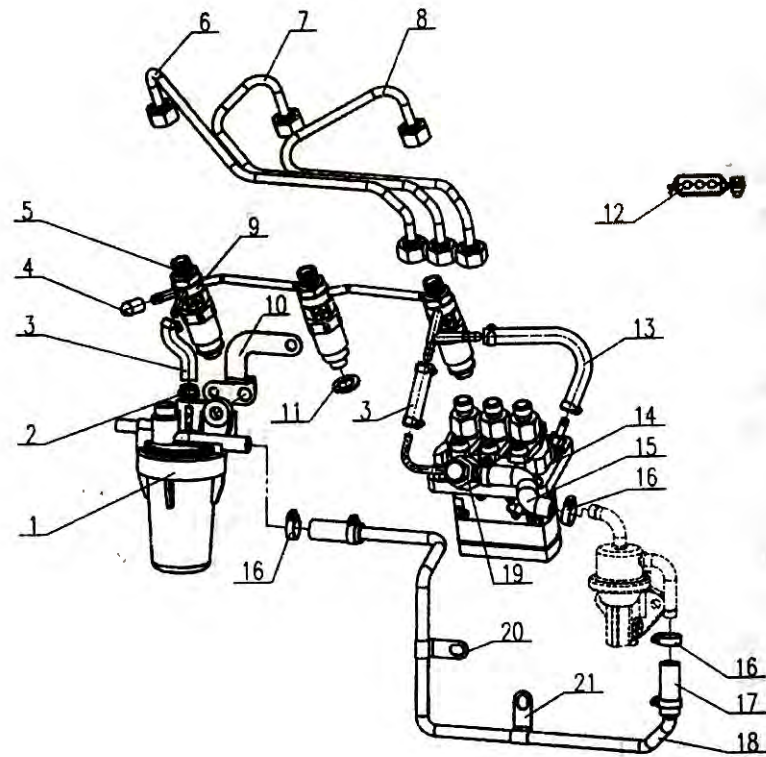
Gear Housing Cover Assembly

序号 Ser.No.	代号 Part No.	名称	Name	数量Qty.
				164Y
1	GB/T6170	螺母M6	Nut M6	2
2	GB/T93	垫圈6	Washer 6	22
3	GB/T97.1	垫圈6	Washer 6	17
4	GB/T899	螺柱GM6-M6×18	Double-screw bolt GM6-M6×18	2
5	3M78-124000-1	输油泵部件	Delivery pump	1
6	3M78-120005A	输油泵垫片(1.0t)	Delivery pump gasket(1.0t)	1
7	3M78-120004	油量调节杆弹簧φ0.6	Oil adjusting rod spring φ0.6	1
8	3M78-120013	油量调节器杆	Oil adjusting rod	1
9	3M78-030007A	齿轮室盖垫片	Gear housing cover gasket	1
10	3M78-120014	垫圈	Washer	2
11	GB/T804	螺母M6	Nut M6	1
12	3M78-036001	盖型螺母M6	Cap nut M6	1
13	3M78-036002	调速限位螺钉护套	Governing limiting screw sleeve	1
14	3M78-120003	齿轮室盖	Gear housing cover	1
15	GB/T5782	螺栓 M6×45	Bolt M6×45	5
16	GB/T6170	螺母M8	Nut M8	1
17	GB/T97.1	垫圈8	Washer 8	2
18	GB/T93	垫圈8	Washer 8	1
19	GB/T5782	螺栓M8×60	Bolt M8×60	1
20	3M78-120002A	转速传感器垫片	Speed sensor gasket	1
21	3M78-121001A	盖板	Cover plate	1
22	3M78-120018	水泵进水管固定夹(1.0t)	Water inlet bench holdfast(1.0t)	1
23	GB/T5783	螺栓M6×16	Bolt M6×16	6

齿轮室盖总成

Gear Housing Cover Assembly

序号 Ser.No.	代号 Part No.	名称	Name	数量Qty.
				164Y
24	3M78-123000-1	机油滤清器部件	Fuel filter component	1
25	3M78-120009	管接螺柱	Connecting bolt	1
26	3M78-120010	垫圈	Washer	1
27	3M78-120011	限压阀座	Pressure-limiting valve seat	1
28	GB/T308	钢球 13	Steel ball 13	1
29	3M78-120012	限压阀弹簧 $\phi 1.5$	Pressure-limiting valve spring $\phi 1.5$	1
30	3M78-120006	机油泵盖	Oil pump cover	1
31	3M78-120008	机油泵外转子	Oil pump outer rotor	1
32	3M78-120007	机油泵内转子	Oil pump inner rotor	1
33	GB/T5782	螺栓M6×70	Bolt M6×70	1
34	GB/T9877.1	油封WPDR38×50×7	Oil seal WPDR38×50×7	1
35	GB/T119.1	销4h8×12	Pin 4h8×12	2
36	GB/T5782	螺栓M6×55	Bolt M6×55	4
37	3M78-031007-1	螺塞NPT1/8	Plug screw NPT1/8	1
38	3M78-120016	螺塞R3/8	Plug screw R3/8	2
39	GB/T5782	螺栓M6×65	Bolt M6×65	1
40	GB/T5782	螺栓M6×50	Bolt M6×50	3
41	3M78-120019	上止点指针	TDC pointer	1

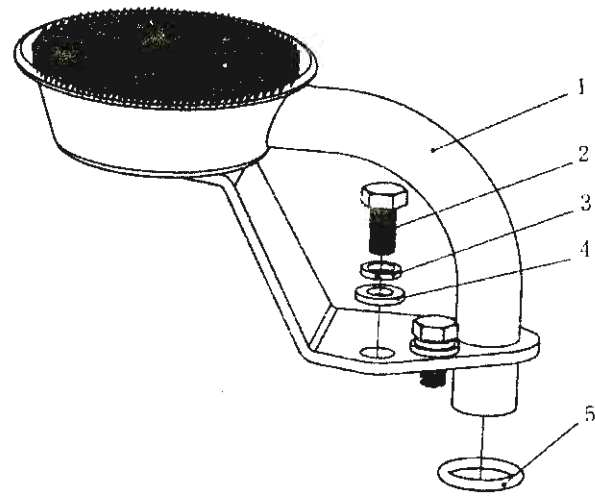


燃油管路总成
Fuel System

燃油管路总成

Fuel System

序号 Ser.No.	代号 Part No.	名称	Name	数量Qty.
				164Y
1	3M78-210000	柴油滤清器总成	Fuel filter assembly	1
2	QC/T621	钢带型弹性环箍Q673B10	Steel belt elastic hoop Q673B10	6
3	GB/T15329.1	织物增强液压胶管2型Φ5×110	Fabric hydraulic tube Φ5×110	2
4	3M78-150011	回油密封盖	Fuel return seal cap	1
5	3M78-131000	喷油器部件	Injector component	3
6	3M78-141000	三缸高压油管部件	3rd cylinder high pressure fuel pipe	1
7	3M78-142000	二缸高压油管部件	2nd cylinder high pressure fuel pipe	1
8	3M78-143000	一缸高压油管部件	1st cylinder high pressure fuel pipe	1
9	3M78-151000-1	喷油器回油管部件	Injector fuel return pipe	1
10	3M78-150016	柴滤固定板 (1.5t)	Fuel filter fixing plate (1.5t)	1
11	3M78-130002	喷油器垫片	Injector gasket	3
12	4L88-146000	三孔夹箍部件	Three hole hoop	1
13	GB/T15329.1	织物增强液压胶管2型Φ5×140	Fabric hydraulic tube Φ5×140	1
14	3M78-181000	喷油泵部件	Injection pump component	1
15	3M78-150004	输油泵出油管	Fuel feed pump outlet pipe	1
16	QC/T619	蜗杆传动式软管环箍Q676B12	Hoop Q676B12	6
17	3M78-155001	软管	Hose pipe	2
18	3M78-155002	输油泵进油管	Fuel feed pump inlet pipe	1
19	3M78-152000-1	喷油泵进油管接头	Injection pump inlet pipe connection	1
20	3M78-155003	长油管固定夹	Clamp	1
21	3M78-155004	油管固定夹	Clamp	1

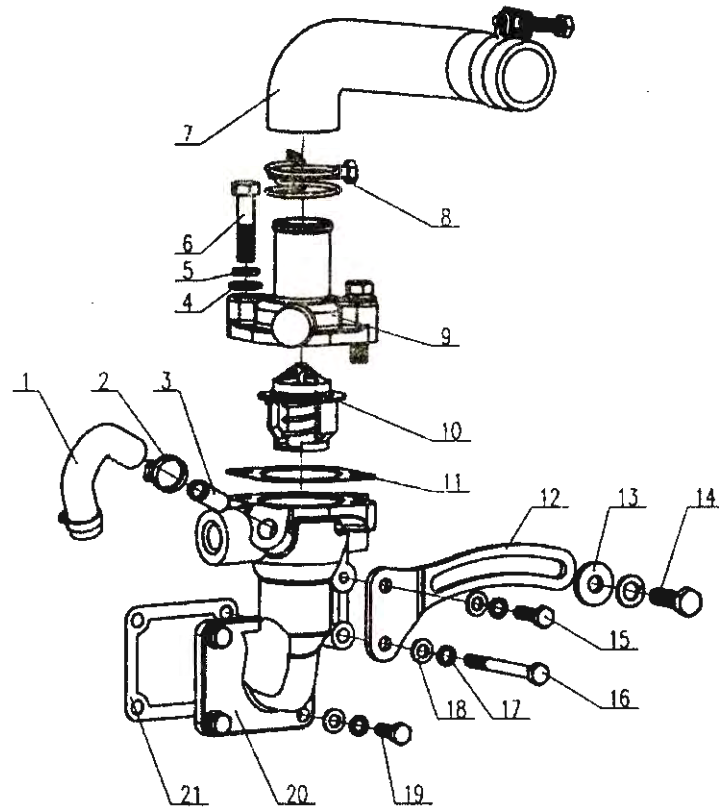


机油集滤器总成
Oil Suction Strainer Assembly

机油集滤器总成

Oil Suction Strainer Assembly

序号 Ser.No.	代号 Part No.	名称	Name	数量Qty.
				164Y
1	3M78-161000	机油集滤器部件	Oil suction strainer	1
2	GB/T5783	螺栓M6×12	Bolt M6×12	2
3	GB/T93	垫圈6	Washer 6	2
4	GB/T97.1	垫圈6	Washer 6	2
5	GB/T3452.1	O型密封圈16×2.65	Seal ring 16×2.65	1

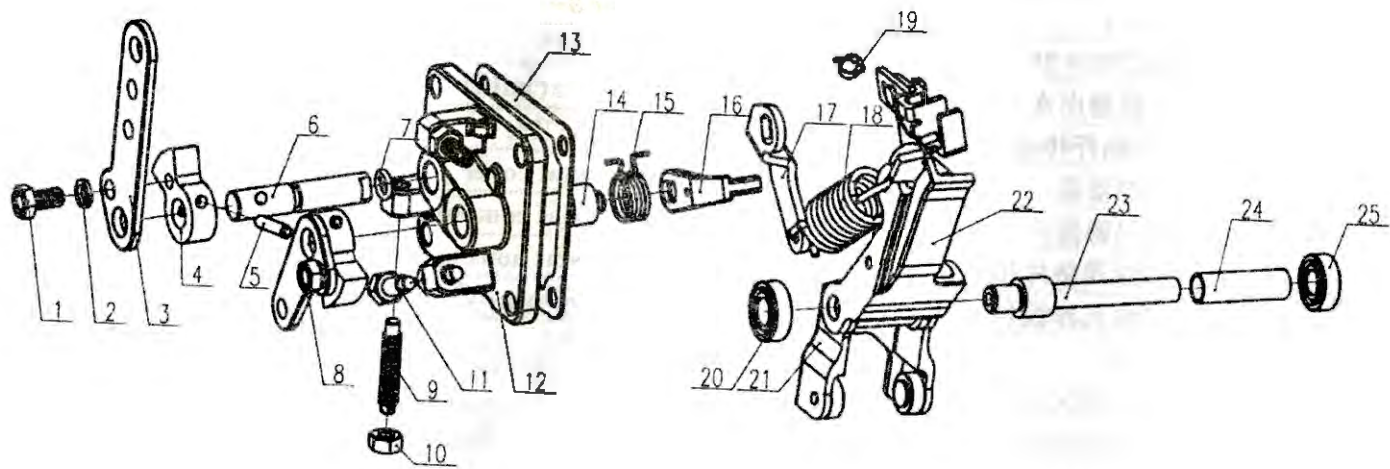


节温器总成
Thermostat Assembly

节温器总成

Thermostat Assembly

序号 Ser.No.	代号 Part No.	名称	Name	数量Qty.
				164Y
1	3M78-170001	小循环水管	Small cycles pipe	1
2	QC/T619	蜗杆传动式环箍Q676B16	Hoop Q676B16	2
3	3M78-170002	小循环水管接头	Small cycles pipe connection	1
4	GB/T97.1	垫圈8	Washer 8	2
5	GB/T93	垫圈8	Washer 8	3
6	GB/T5782	螺栓M8×35	Bolt M8×35	2
7	3M78-170003	节温器出水管	Thermostat outlet water pipe	1
8	QC/T620	A型蜗杆传动式环箍Q65735	Hoop Q65735	2
9	3M78-170004	节温器盖	Thermostat cover	1
10	3M78-171000-1	节温器部件	Thermostat component	1
11	3M78-170005A	节温器垫片(0.5t)	Thermostat housing gasket(0.5t)	1
12	3M78-170007	发电机撑板(4.5t)	Generator bracing (4.5t)	1
13	4L68-120012	垫圈	Washer	1
14	GB/T5783	螺栓M8×25	Bolt M8×25	1
15	GB/T5783	螺栓M6×20	Bolt M6×20	1
16	GB/T5782	螺栓M6×60	Bolt M6×60	1
17	GB/T97.1	垫圈6	Washer 6	5
18	GB/T93	垫圈6	Washer 6	5
19	GB/T5783	螺栓M6×16	Bolt M6×16	3
20	3M78-170008	节温器座	Thermostat support	1
21	3M78-020009A	节温器座垫片(0.5t)	Thermostat support gasket (0.5t)	1



调速部件总成
Governing Component Assembly

调速部件总成

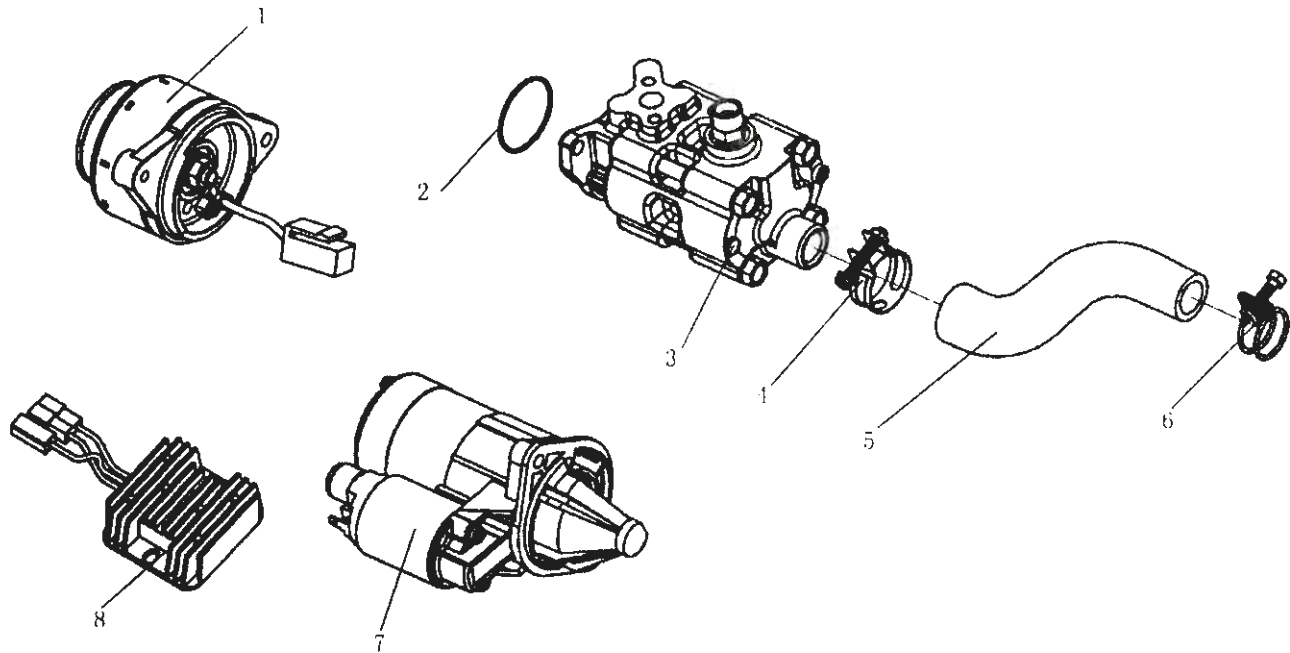
Governing Component Assembly

序号 Ser.No.	代号 Part No.	名称	Name	数量Qty.
				164Y
1	GB/T5783	螺栓M6X12	Bolt M6X12	2
2	GB/T93	垫圈6	Washer 6	2
3	3M78-182002	调速器手柄	Governor hand lever	1
4	3M78-182003	停车手柄挡块	Shutdown handle check block	2
5	GB/T879.1	销4X22	Pin 4X22	2
6	3M78-182101	油门转轴	Accelerator revolvingshaft	1
7	GB/T3452.1	O型密封圈7X1.8	Seal ring 7X1.8	2
8	3M78-182005	停车手柄	Shutdown handle	1
9	3M78-182004	油量限止螺钉	Oil limiting screw	2
10	GB/T6170	螺母M6	Nut M6	3
11	3M78-182007	停车限止螺钉	Shutdown limiting screw	1
12	3M78-182001	油量拨叉手柄座	Oil shifting fork seat	1
13	3M78-030026	油量拨叉座垫片	Oil shifting fork seat gasket	1
14	3M78-182301	停车手柄轴	Shutdown handle shaft	1
15	3M78-182006	停车扭簧	Shutdown torsional spring	1
16	3M78-182302	停车拨叉	Shutdown shifting fork	1
17	3M78-182102	调速弹簧拨叉	Governing spring fork	1
18	3M78-183001	调速拉簧	Governing tension spring	1
19	3M78-183002	起动加浓弹簧	Starting with enrichment spring	1
20	GB/T276	轴承619/9	Bearing 619/9	1
21	3M78-183100	调速拨叉部件	Governing fork component	1
22	3M78-183003	副拨叉	Assisting fork	1
23	3M78-183004	调速拨叉销	Governing fork pin	1

调速部件总成

Governing Component Assembly

序号 Ser.No.	代号 Part No.	名 称	Name	数量Qty.
				164Y
24	3M78-183005	拨叉销衬管	Fork pin liner tube	1
25	GB/T276	轴承628/8	Bearing 628/8	1



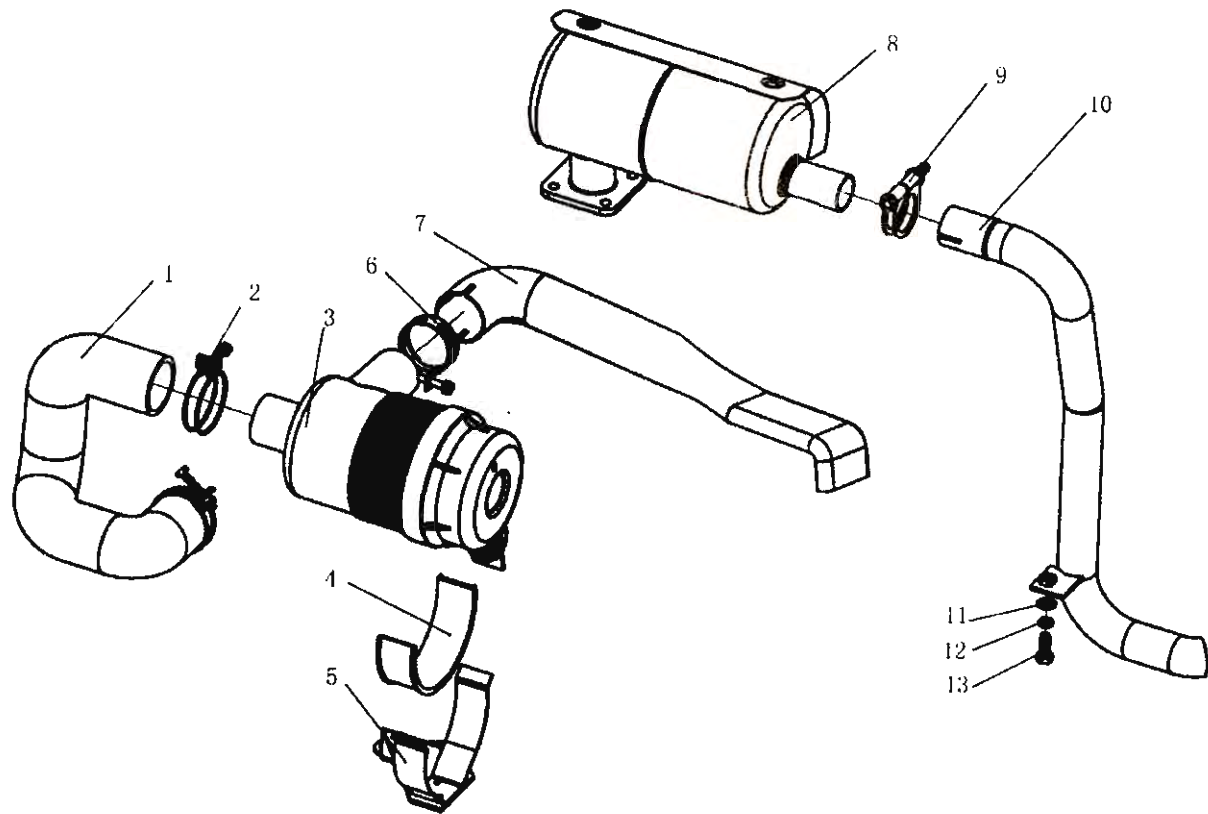
发电机、起动机、液压泵电压调节器总成

Generate/Starting Motor/Hydraulic Pump/Voltage Regulator Assembly

发电机、起动机、液压泵电压调节器总成

Generate/Starting Motor/Hydraulic Pump/Voltage Regulator Assembly

序号 Ser.No.	代号 Part No.	名称	Name	数量Qty
				164Y
1	3M78-190000	发电机总成	Generator assembly	1
2	GB/T3452.1	O型密封圈45×1.8	Seal ring	1
3	3M78-221000	液压泵部件	Hydraulic pump component	1
4	QC/T619	蜗杆传动式软管环箍Q67638	Hoop Q67638	1
5	3M78-220001	液压泵输出软管	Hydraulic pump delivery hose	1
6	3M78-222000	双钢丝喉箍 φ30	Double steel wire hose hoop φ30	1
7	3M78-200000	起动机总成	Starting motor assembly	1
8	3M78-280000-1	调节器部件	Regulator	1



空滤、消声器总成

Air Filter and Silencer Assembly

空滤、消声器总成

Air Filter and Silencer Assembly

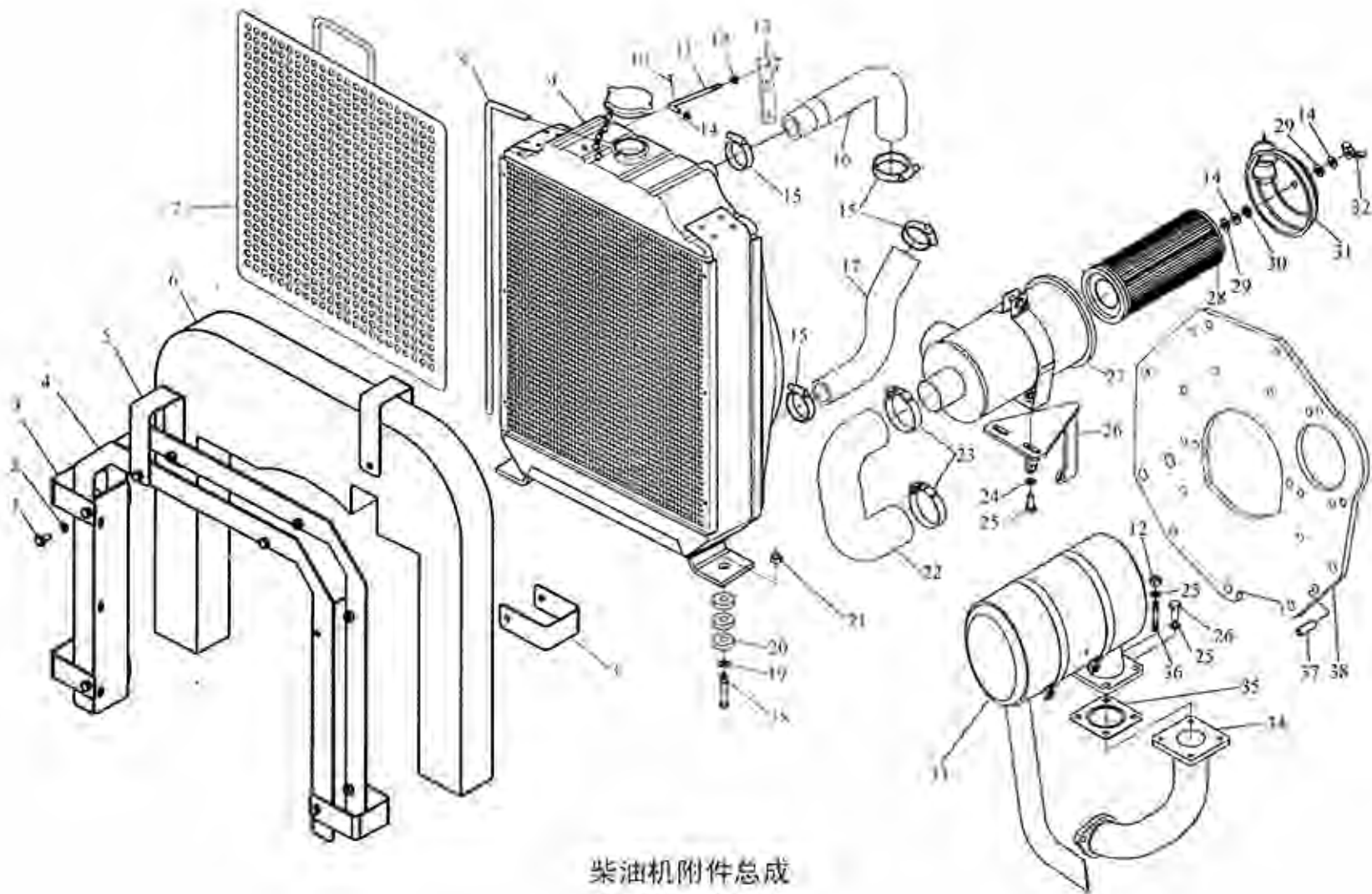
序号 Ser.No.	代号 Part No.	名称	Name	数量Qty.
				164Y
1	3M78-250001	进气软管	Intake hose	1
2	3M78-251000	双钢丝喉箍 φ58	Double steel wire hose hoop φ58	2
3	3M78-252000	空气滤清器部件	Air filter	1
4	3M78-253004	空滤器防震垫	Air filter crash roll	1
5	3M78-253000	空滤器托架部件	Air filter mounting bracket	1
6	QC/T619	蜗杆传动式软管环箍 Q67650	Hoop Q67650	1
7	3M78-250002	空滤器接管	Air filter pipe	1
8	3M78-261000	排气消声器部件	Silencer component	1
9	3M78-262000	消声器紧箍部件	Silencer hoop component	1
10	3M78-263000	排气弯管部件	Exhaust bent pipe component	1
11	GB/T 97.1	垫圈 8	Washer 8	1
12	GB/T 93	垫圈	Washer	1
13	GB/T 5783	螺栓M8×20	Bolt M8×20	1

黄海金马-164Y系列轮式拖拉机部件组成表

Parts Catalogue of Huanghai JinMa-164Y Series Wheel Tractor

序号 Ser.No.	名称	Name	页号
			Page
1	柴油机附件总成	Engine Assy	1
2	发动机操纵机构总成	Engine Control Mechanism Assy	4
3	过桥总成	Intermediate Axle	7
4	前驱动桥总成 I	Front Axle I	11
5	前驱动桥总成 II	Front Axle II	15
6	前驱动桥总成 III	Front Axle III	19
7	前驱动桥总成 IV	Front Axle IV	21
8	前驱动轮总成	Front Driving Wheel Assy	23
9	后驱动轮总成	Rear Driving Wheel Assy	25
10	牵引装置总成	Drawbar	27
11	变速箱总成 I	Gearbox Assy I	29
12	变速箱总成 II	Gearbox Assy II	33
13	后桥总成	Rear Axle Assy	38
14	末端传动总成	Final Transmission Assy	42
15	转向器总成	Steering Gear	45
16	制动器及操纵机构总成	Brake and Operation Mechanism	47
17	座椅总成	Seat Assy	50
18	脚地板总成	Floor Assy	52
19	安全架总成	Roll-over Protective Structure	54
20	覆盖件总成	Cover	56

1/1



柴油机附件总成
Engine Assy

黄海金马-164Y系列轮式拖拉机部件组成表
 Parts Catalogue of Huanghai JinMa-164Y Series Wheel Tractor

序号 Ser.No.	名 称	Name	页号 Page
21	电器系统总成 I	Electrical System I	59
22	电器系统总成 II	Electrical System II	60
23	燃油箱总成	Fuel Tank	63
24	液压管路总成	Hydraulic Pipeline Assy	65
25	提升器总成	Lifter Assembly	67
26	分配器总成	Distributor Assembly	70
27	悬挂机构总成	Suspension Mechanism	73

• 柴油机及配件总成

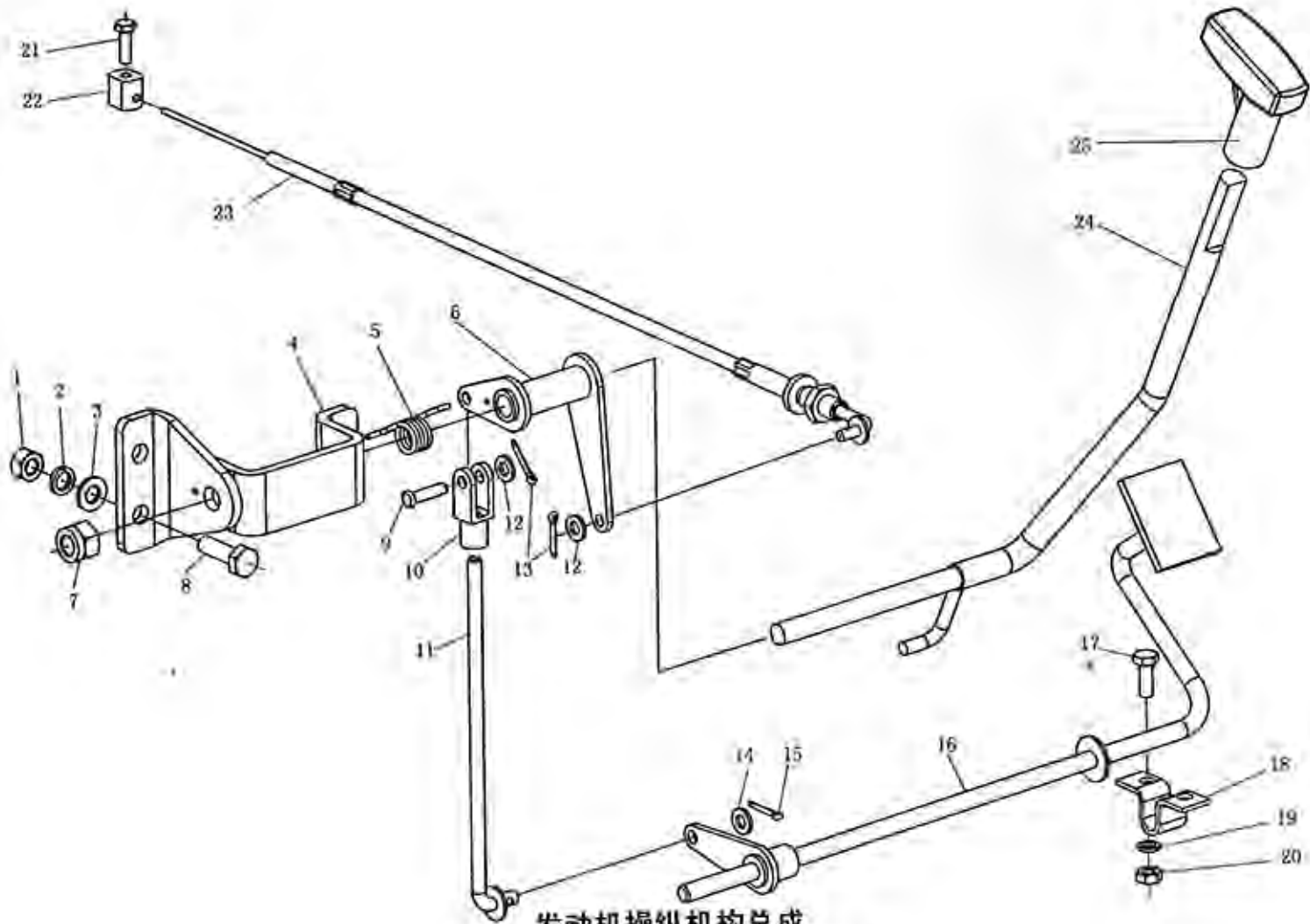
• Engine Assy

序号 Ser.No.	代号 Part No.	名称	Name	数量Qty.
				164Y
	164Y.11.001	柴油机及配件总成	Engine Assy	1
1	GB/T5783	螺栓M6x12	Bolt M6x12	12
2	GB/T93	垫圈6	Washer 6	12
3	LDW903.11.112	隔热泡沫侧固定板	Thermal-protective material side fixed plate	4
4	LDW903.11.033	隔热泡沫支架焊合件	Thermal-protective bracket weldment	1
5	LDW903.11.113	隔热泡沫上固定板	Thermal-protective upper fixed plate	2
6	LDW903.11.111	隔热泡沫	Thermal-protective material	1
7	TY290.105	挡草板	Plate	1
8		泄水软管φ8	Hose φ8	1
9	3C093.12.010	散热器总成	Oil radiator	1
10	GB/T91	开口销3x16	Split pin 3x16	1
11	LDW903.11.106	水箱拉杆	Pull rod, radiator	1
12	GB/T6170	螺母M8	Nut M8	3
13	LDW903.11.114	水箱拉杆支座	Radiator rod seat	1
14	GB/T97.1	垫圈8	Washer 8	3
15	ZJB15001	喉箍25-38	Hoop 25-38	4
16	LDW903.13.101	进水管	Water inlet hose	1
17	LDW903.13.102-1	出水管	Water outlet hose	1
18	GB/T5783	螺栓M10x45	Bolt M10x45	2
19	GB/T93	垫圈10	Washer 10	2
20	BL-126	水箱垫块	Rubber pad	6
21	GB/T889	螺母M10	Nut M10	2
22	LDW903.12.102	出水管	Water outlet hose	1

柴油机及配件总成

Engine Assy

序号 Ser.No.	代号 Part No.	名称	Name	数量Qty.
				164Y
23	ZJB15001	喉箍50-65	Hoop 50-65	2
24	GB/T93	垫圈8	Washer 8	6
25	GB/T5783	螺栓M8x20	Bolt M8x20	6
26	LDW903.11.030	空滤器支架焊合件	Bracket weldment, air cleaner	1
27	LDW903.11.012	空滤器总成	Air cleaner assembly	1
28	LDW903.11.014	滤芯总成	Filter element	1
29		滤芯垫片	Filter element plate	2
30		端盖	End plate	1
31	GB/T6172	螺母M8	Nut M8	1
32	GB/T62	螺母M8	Nut M8	1
33	LDW903.11.032	消声器总成	Muffler	1
34	LDW903.11.103	消声器弯管	Muffler bend pipe	1
35	Y385.19	消声器垫片	Muffler washer	1
36	GB/T899	双头螺柱M8x20	Double ended bolt M8x20	2
37	GB/T119	圆柱销10x22	Cylinder pin 10x22	2
38	LDW903.12.101	联接盘	Connecting plate	1
39				
40				
41				
42				
43				
44				



发动机操纵机构总成
Engine Control Mechanism Assy

发动机操纵机构总成

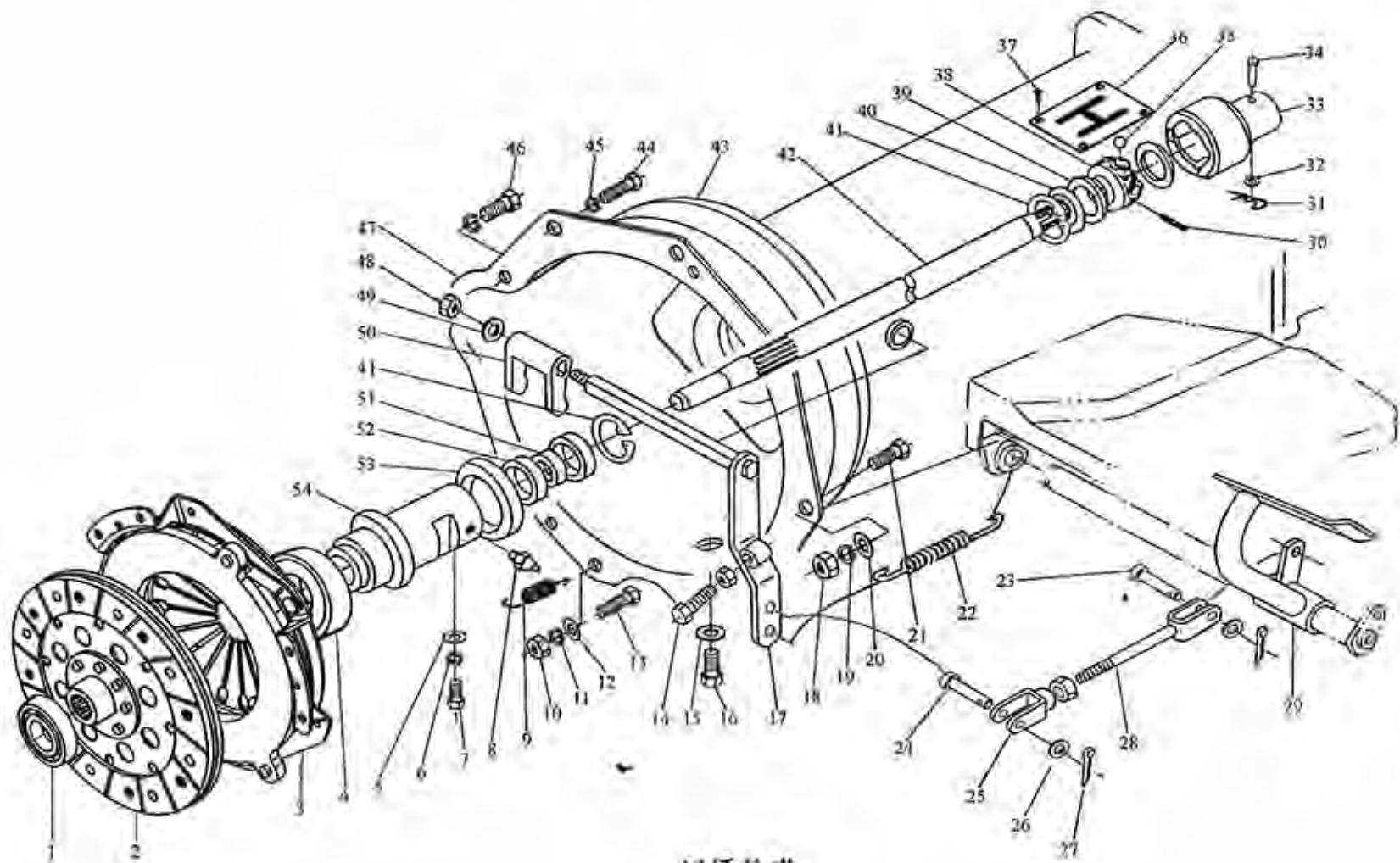
Engine Control Mechanism Assy

序号 Ser.No.	代号 Part No.	名称	Name	数量Qty.
				164Y
	164Y.20.001A	发动机操纵机构总成	Engine Control Mechanism Assy	1
1	GB/T6170	螺母M8	Nut M8	2
2	GB/T93	垫圈8	Washer 8	2
3	GB/T97.1	垫圈8	Washer 8	2
4	164Y.20.021A-2	固定支架焊合件	Fixed bracket weldment	1
5	164Y.20.112A	扭簧	Spring	1
6	164Y.20.015	手油门摇臂焊合件	Arm	1
7	GB/T889	螺母M8	Nut M8	2
8	GB/T5783	螺栓M8x25	Bolt M8x25	1
9	GB/T882	销轴B5x20	Axis pin B5x20	1
10	160.20.101	联接叉	Yoke	1
11	164Y.20.013A	脚油门纵拉杆焊合件	Foot throttle longitudinal tie	2
12	GB/T97.1	垫圈5	Washer 5	2
13	GB/T91	开口销2x16	Pin 2x16	1
14	GB/T97.1	垫圈6	Washer 6	1
15	GB/T91	开口销3x16	Pin 3x16	1
16	164Y.20.023	脚油门传动轴焊合件	Foot throttle shaft	2
17	164Y.20.133-1	压板	Press plate	1
18	GB/T5783	螺栓M6x16	Bolt M6x16	2
19	GB/T93	垫圈6	Washer 6	2
20	GB/T6170	螺母M6	Nut M6	2
21	GB/T5783	螺栓M5x16	Bolt M6x20	1
22	164Y.20.134	联接销	Axis pin	1

发动机操纵机构总成

Engine Control Mechanism Assy

序号 Ser.No.	代号 Part No.	名称	Name	数量Qty.
				164Y
23	164Y.20.019A-1	油门拉线总成	throttle Flexible shaft assy	1
24	164Y.20.016A-1	手油门手柄焊合件	hand throttle pedal	1
25	184.20.150-1	手油门手柄	hand throttle	1



过桥总成
Intermediate Axle

过桥总成

Intermediate Axle

序号 Ser.No.	代号 Part No.	名称	Name	数量Qty.
				164Y
	164Y.21.001A	过桥总成	Intermediate Axle	1
1	GB/T276	轴承6201-2RZ	Rolling bearing 6201-2RZ	1
2	164Y.21.011A	功率输出离合器从动盘总成	PTO clutch disc assy	1
3	164Y.21.013	离合器	Clutch	1
4	164Y.21.031	分离轴承	Release bearing	1
5	GB/T97.1	垫圈6	Plain washer 6	1
6	GB/T93	垫圈6	Spring lock washer 6	1
7	GB/T5783	螺栓M6x10	Bolt M6x10	1
8	JB/T7940.1	油杯M6	Oil cup M6	1
9	164Y.21.142	分离轴承座回位弹簧	Return spring, release bearing seat	1
10	GB/T6170	螺母M10	Nut M10	6
11	GB/T93	垫圈10	Spring lock washer 10	6
12	GB/T97.1	垫圈10	Plain washer 10	4
13	GB/T5783	螺栓M10x30	Bolt M10x30	4
14	GB/T5783	螺栓M10x45	Bolt M10x45	1
15	D17-EAA-12	复合垫圈12	Washer 12	1
16	GB/T5783	螺栓M12x20	Bolt M12x20	1
17	164Y.21.021	离合器拨叉轴焊合件	Release fork shaft, clutch	1
18	GB/T6170	螺母M12	Nut M12	2
19	GB/T93	垫圈12	Spring lock washer 12	2
20	GB/T97.1	垫圈12	Plain washer 12	2
21	GB/T5783	螺栓M12x30	Bolt M12x30	2
22	164Y.21.163	离合器踏板回位弹簧	Pedal return spring	1

过桥总成

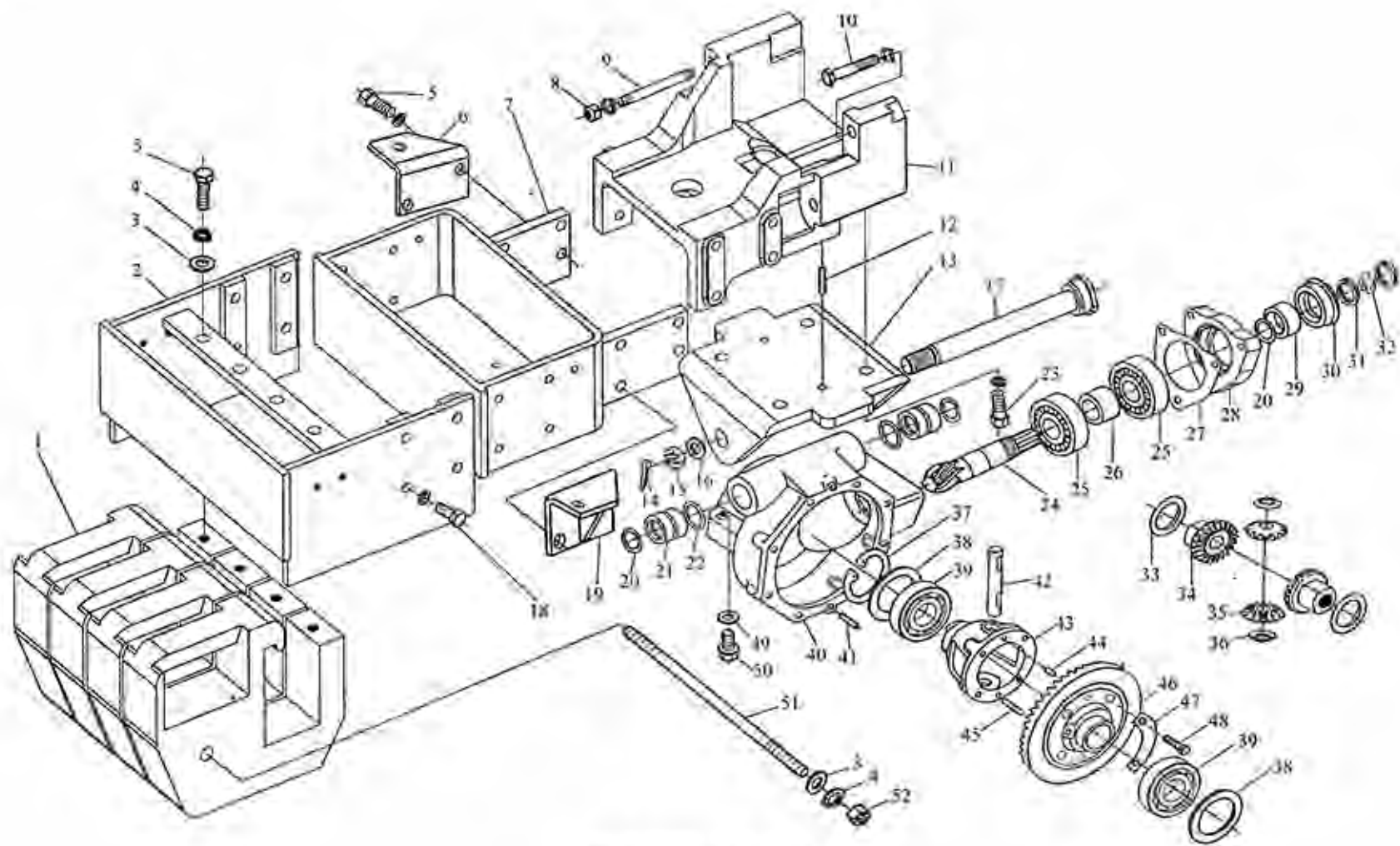
Intermediate Axle

序号 Ser.No.	代号 Part No.	名称	Name	数量Qty.
				164Y
23	GB/T882	销B8x24	Clevis pin with head B8x24	1
24	GB/T882	销B8x28	Clevis pin with head B8x28	1
25	160.21.107	离合器推杆调整叉	Adjusting fork,clutch push rod	1
26	GB/T97.1	垫圈8	Plain washer 8	2
27	GB/T91	销2.5x20	Split pin 2,5x20	2
28	164Y.21.022	压杆焊合作	Pressing pole	1
29	164Y.21.020	离合器踏脚焊合作	Clutch pedal assembly	1
30	GB/T879	销5x32	Pin 5x32	1
31	164Y.21.149	弹簧锁销	Lock pin	1
32	GB/T97.1	垫圈5	Plain washer 5	1
33	164Y.21.144	滚珠联轴节	Roll the bead allied stalk stanza	1
34	GB/T882	销轴B5x30	Clevis pin with head B5x30	1
35	GB/T308	钢球3/8	Steel ball 3/8	4
36	164Y.21.166A	档位示意图	File sketch map	1
37	GB/T12617	抽芯铆钉3.2x26	Rivet 3,2x26	2
38	164Y.21.145	星形套	Star polygon set	1
39	164Y.21.147	橡胶垫片	Rubber washer	2
40	164Y.21.148	垫片	Washer	1
41	GB/T893.1	挡圈35	Circlip 35	2
42	164Y.21.146A	离合器轴	Clutch shaft	1
43	164Y.21.010A	离合器壳体过桥焊合作	Intermediate axle housing	1
44	GB/T5783	螺栓M8x25	Bolt M8x25	2
45	GB/T93	垫圈8	Spring lock washer 8	2

过桥总成

Intermediate Axle

序号 Ser.No.	代号 Part No.	名称	Name	数量Qty.
				164Y
46	GB/T5783	螺栓M10x20	Bolt M10x20	2
47	164Y.21.109A	过桥纸垫	Paper gasket,intermediate axle	1
48	GB/T889	螺母M8	Nut M8	1
49	GB/T96	垫圈8	Washer 8	1
50	164Y.21.155	离合器分离拨叉	Clutch release fork	1
51	164Y.21.167	油封隔套	Spacing sleeve	1
52	GB/T9877.1	油封FB20x35x7	Oil Seal FB20x35x7	2
53	164Y.21.030-1	轴承座密封圈合件	Bearing seat sealing assy	1
54	164Y.21.140A	分离轴承座	Release bearing seat	1



前驱动桥总成(一)
Front Axle I

前驱动桥总成 I

Front Axle I

序号 Ser.No.	代号 Part No.	名称	Name	数量Qty.
				164Y
	164Y.31.001	前驱动桥总成	Front Axle I	1
1	254.31.411-1A	配重	Front ballast	4
2	164Y.31.021	配重支架焊合件	Bracket	1
3	GB/T97.1	垫圈12	Plain washer 12	14
4	GB/T93	垫圈12	Spring lock washer 12	30
5	GB/T5783	螺栓M12x30	Bolt M12x30	12
6	164Y.31.023-1	水箱右支架焊合件	Right support	1
7	164Y.31.012A	电瓶支座焊合件	Battery Support Seat Assy	1
8	GB/T6171	螺母M12x1.5	Nut M12x1.5	3
9	164Y.31.205	托架联接双头螺栓	Double ended bolt	3
10	GB/T5786	螺栓M12x95	Bolt M12x95	1
11	164Y.31.171	柴油机联接托架	Bracket	1
12	GB/T119	圆柱销B10x20	Parallel pin	2
13	164Y.31.127A	托架底板	Bracket deck	1
14	GB/T91	销4x40	Split pin 4x40	1
15	GB/T9457	I型六角开槽螺母M18x1.5	Nut M18x1.5	1
16	GB/T97.1	垫圈18	Plain washer 18	1
17	164Y.31.122	摇摆轴	Pendulum shaft	1
18	GB/T5783	螺栓M12x25	Bolt M12x25	8
19	164Y.31.022-1	水箱左支架焊合件	Left support	1
20	GB/T3452.1	O形密封圈20x2.65	O-ring 20x2.65	3
21	164Y.31.123-1	摇摆轴衬套	Bush of pendulum shaft	2
22	GB/T3452.1	O形密封圈25x2.65	O-ring 25x2.65	2

前驱动桥总成 I

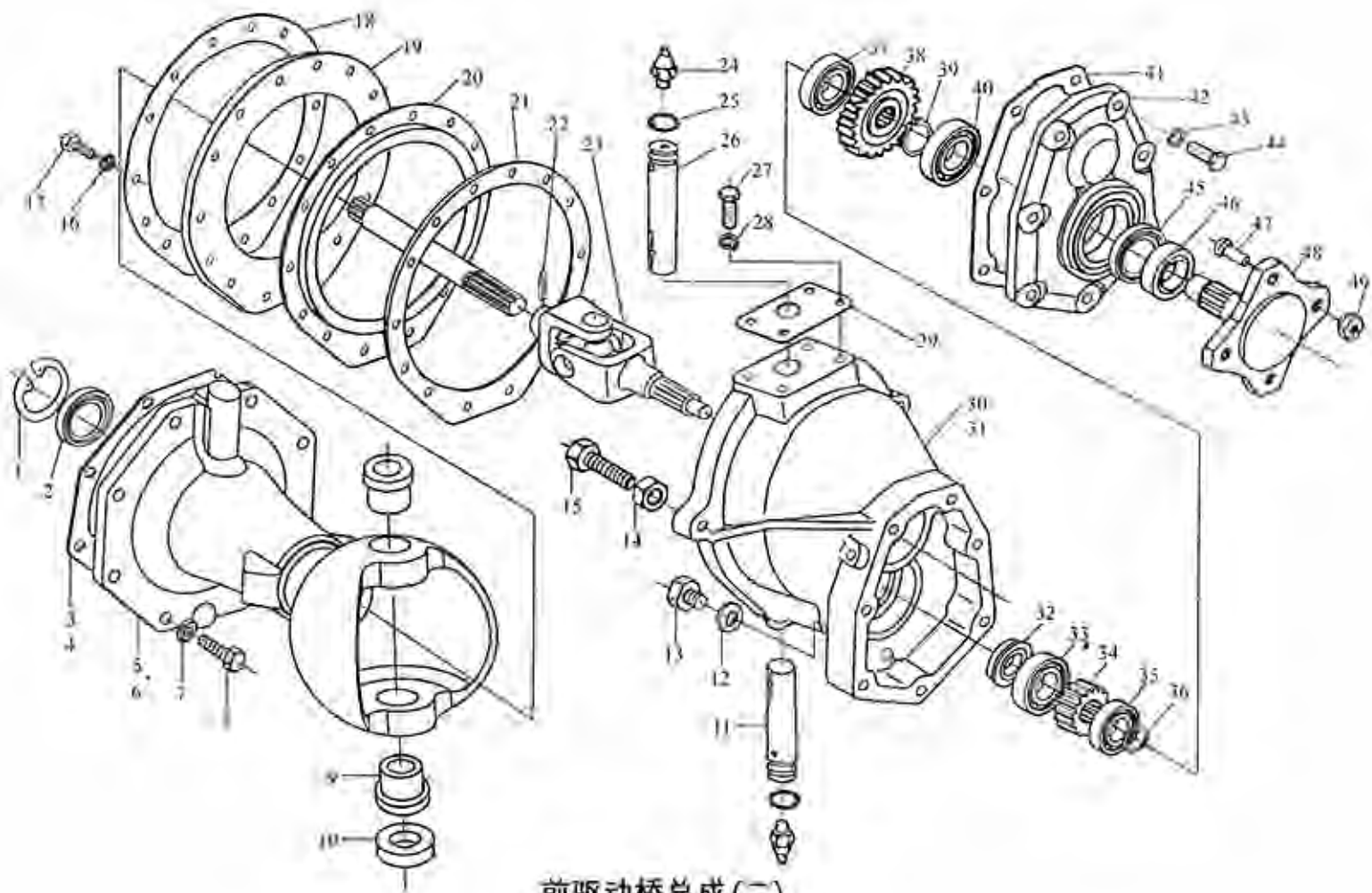
Front Axle I

序号 Ser.No.	代号 Part No.	名称	Name	数量Qty.
				164Y
23	GB/T5783	螺栓M12x35	Bolt M12x35	4
24	164Y.31.121	主动锥齿轮	Driving gear	1
25	GB/T276	轴承6305	Rolling bearing 6305	2
26	164Y.31.154	主动锥齿轮隔套 I	Sleeve I	1
27	164Y.31.148	纸垫 II	Paper gasket II	1
28	164Y.31.107	轴承盖	Bearing cap	1
29	164Y.31.155	主动锥齿轮隔套 II	Sleeve II	1
30	GB/T9877.1	油封FB35x55x8	Oil seal FB35x55x8	1
31	GB/T810	小圆螺母M24x1.5	Small round nut	2
32	GB/T858	圆螺母用止动垫圈24	Round nut locking washer 24	1
33	164Y.31.115	半轴齿轮垫圈	Washer	Δ
34	164Y.31.114	差速器半轴齿轮	Differential side gear	2
35	184.31.182	球垫片	Ball gasket	2
36	184.31.183	差速器行星齿轮	Planet gear	2
37	GB/T893.1	挡圈68	Circlip 68	8
38	164Y.31.153	调整垫圈	Gasket	Δ
39	GB/T276	轴承6008	Rolling bearing 6008	2
40	164Y.31.103	主传动壳体	Main transmission housing	1
41	GB/T119	销8x16	Parallel pin	4
42	164Y.31.113-1	行星齿轮轴	Shaft	1
43	164Y.31.108	差速器壳体	Differential case	1
44	164Y.31.117	定位销 II	Locating pin II	1
45	164Y.31.112	定位销 I	Locating pin I	1

前驱动桥总成 I

Front Axle I

序号 Ser.No.	代号 Part No.	名称	Name	数量Qty.
				164Y
46	I64Y.31.111	从动齿轮	Driven gear	1
47	I64Y.31.116	锁片	Locking plate	2
48	GB/T5783	螺栓M8x20	Bolt M8x20	4
49	D17-EAA-10	复合垫圈10	Washer 10	1
50	I64Y.31.212	螺塞M12x1.5	Plug M12x1.5	1
51	254.31.282	螺杆	Screw bolt	1
52	GB/T6170	螺母M12	Nut M12	2



前驱动桥总成(二)
Front Axle II

前驱动桥总成 II

Front Axle II

序号 Ser.No.	代号 Part No.	名称	Name	数量Qty.
				164Y
1	GB/T 893.1	挡圈47	Circlip for hole 47	2
2	GB/T9877.1	油封FB22x47x7	Oil seal FB22x47x7	2
3	164Y.31.145	左半轴套管纸垫	Left semi-axle sleeve washer	1
4	164Y.31.146	右半轴套管纸垫	Right semi-axle sleeve washer	1
5	164Y.31.013	左半轴套管合作	Left semi-axle sleeve assy	1
6	164Y.31.014	右半轴套管合作	Right semi-axle sleeve assy	1
7	GB/T93	垫圈10	Washer 10	13
8	GB/T5783	螺栓M10x30	Bolt M10x30	13
9	164Y.31.151	半轴套管衬套	Semi-axle sleeve lining	4
10	GB/T301	推力轴承51204	Bearing 51204	2
11	164Y.31.150	下销轴	Lower axis pin	2
12	D17-EAA-12	复合垫圈12	Washer 12	4
13	164Y.31.212	螺塞M12x1.5	Plug screw M12x1.5	4
14	GB/T6170	螺母M10	Nut M10	4
15	164Y.31.163	限位螺栓 I	Spacing bolt I	4
16	GB/T93	垫圈6	Washer 6	28
17	GB/T5783	螺栓M6x20	Bolt M6x20	28
18	164Y.31.142	防尘纸垫	Dust-proof washer	2
19	164Y.31.139	防尘板	Dust-proof plate	2
20	164Y.31.141	防尘毛毡	Dust-proof blankie	2
21	164Y.31.140	防尘压板	Dust-proof plate	2
22	GB/T879	销5x35	Pin 5x35	2
23	164Y.31.017	边减速万向节	Geared universal-joine	2

前驱动桥总成 II

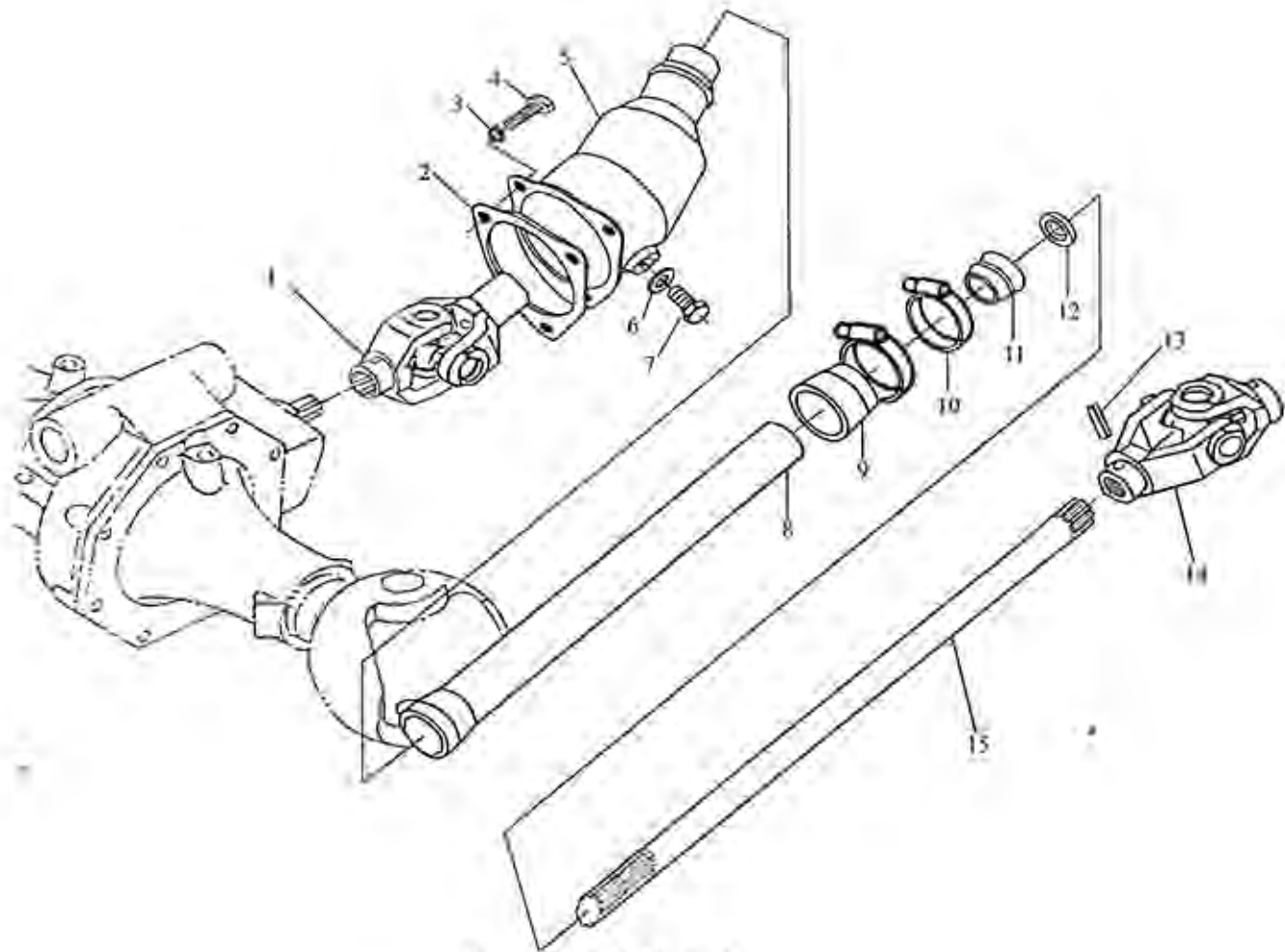
Front Axle II

序号 Ser.No.	代号 Part No.	名称	Name	数量Qty.
				164Y
24	JB/T7940.1	油杯M10x1	Oil cup M10x1	4
25	GB/T3452.1	O形密封圈17x1.8	O-ring 17x1.8	4
26	164Y.31.149	上销轴	Upper axis pin	2
27	GB/T5783	螺栓M10x40	Bolt M10x40	8
28	GB/T93	垫圈10	Washer 10	8
29	164Y.31.143	转向臂纸垫	Gasket	2
30	164Y.31.104	左边减速壳体	Left side housing	1
31	164Y.31.105	右边减速壳体	Right side housing	1
32	GB/T9877.1	油封FB25x40x8	Oil seal FB25x40x8	2
33	GB/T276	轴承6204	Rolling bearing 6204	2
34	164Y.31.118	边减速主动齿轮	driving gear	2
35	GB/T276	轴承6303	Rolling bearing 6303	2
36	GB/T894.1	挡圈17	Circlip for shaft 17	2
37	GB/T276	轴承6205	Rolling bearing 6205	2
38	164Y.31.119	边减速从动齿轮	Driven gear	2
39	164Y.31.152	挡圈30	Circlip 30	2
40	GB/T276	轴承6206	Rolling bearing 6206	2
41	164Y.31.144	边减速壳体盖纸垫	Gasket	2
42	164Y.31.106	边减速壳体盖	Cover	2
43	GB/T93	垫圈8	Washer 8	14
44	GB/T5782	螺栓M8x25	Bolt M8x25	14
45	GB/T9877.1	油封FB35x50x8	Oil seal FB35x50x8	2
46	JB/T 2600	骨架油封W35x50x7	Oil seal w35x50x7	2

前驱动桥总成 II

Front Axle II

序号 Ser.No.	代号 Part No.	名称	Name	数量Qty.
				164Y
47	164Y.31.135	前轮毂螺栓	Bolt	8
48	164Y.31.120	前轮毂	Hub	2
49	164Y.31.136	前轮毂螺母	Nut	8



前驱动桥总成(三)
Front Axle III

前驱动桥总成(III)

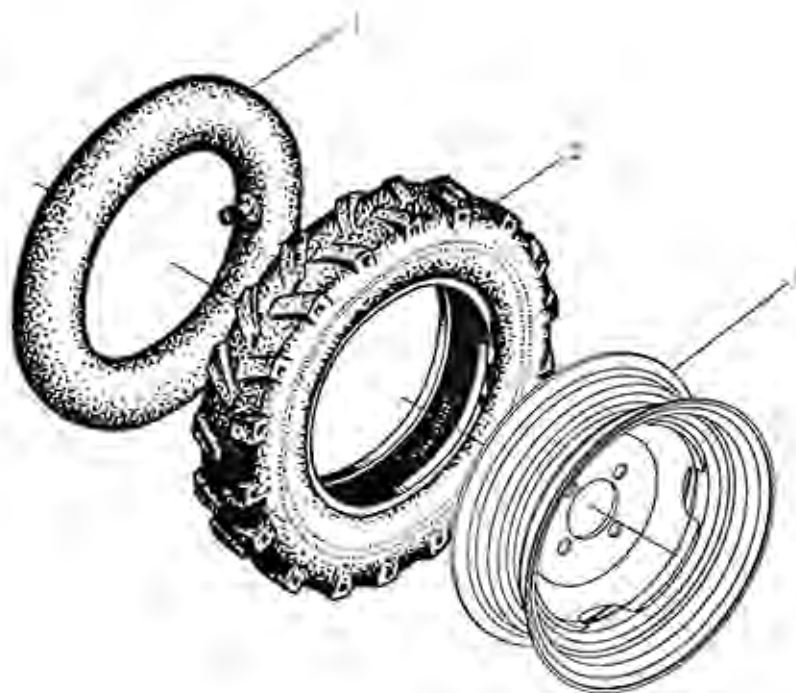
Front Axle III

序号 Ser.No.	代号 Part No.	名称	Name	数量Qty.
				164Y
1	164Y.31.018	差速器端万向节	Universal-joine	1
2	164Y.31.147	纸垫 1	Gasket 1	1
3	GB/T93	垫圈8	Spring lock washer 8	3
4	GB/T5782	螺栓M8x40	Bolt M8x40	3
5	164Y.31.020-2	万向节护罩焊合件	Universal-joine boot	1
6	D17-EAA-6	复合垫圈6	Washer 6	1
7	GB/T5783	螺栓M6x10	Bolt M6x10	1
8	164Y.31.159A	防尘管	Dust shielding pipe	1
9	164Y.31.158	连接胶管	Connecting hose	1
10	D16-15001	喉箍35-51	Hoop 35-51	2
11	164Y.31.162-1	密封圈保持架	Joint ring holding bracket	1
12	GB/T 9877.1	油封FB20x35x7	Oil seal FB20x35x7	1
13	GB/T879	销6x30	Pin 6x30	4
14	164Y.31.019	变速箱端万向节	Universal-joine	1
15	164Y.31.138A	动力输入转动轴	P.T.O. shaft	1

前驱动桥总成(IV)

Front Axle IV

序号 Ser.No.	代 号 Part No.	名 称	Name	数量Qty.
				164Y
1	GB/T584	单耳止动垫圈10	Washer 10	4
2	GB/T5786	螺栓M10x1.25x35	Bolt M10x1.25x35	4
3	GB/T889	六角锁紧螺母M12	Nut M12	4
4	164Y.31.110	右转向臂	Right steering knuckle arm	1
5	160.31.020-1	拉杆接头总成(右)	Pull rode joint (right)	2
6	JB/T7940.1	油杯M10x1	Oil cup M10x1	4
7	GB/T6171	螺母M16x1.5	Nut M16x1.5	2
8	164Y.31.156	横拉杆	Front axle tie rod	1
9	GB/T6171	螺母M16x1.5(左)	Nut M16x1.5(left)	2
10	160.31.019-1	拉杆接头总成(左)	Pull rode joint (left)	2
11	164Y.31.109	左转向臂	Left steering knuckle arm	1
12	164Y.31.157A	纵拉杆	Drag link	1

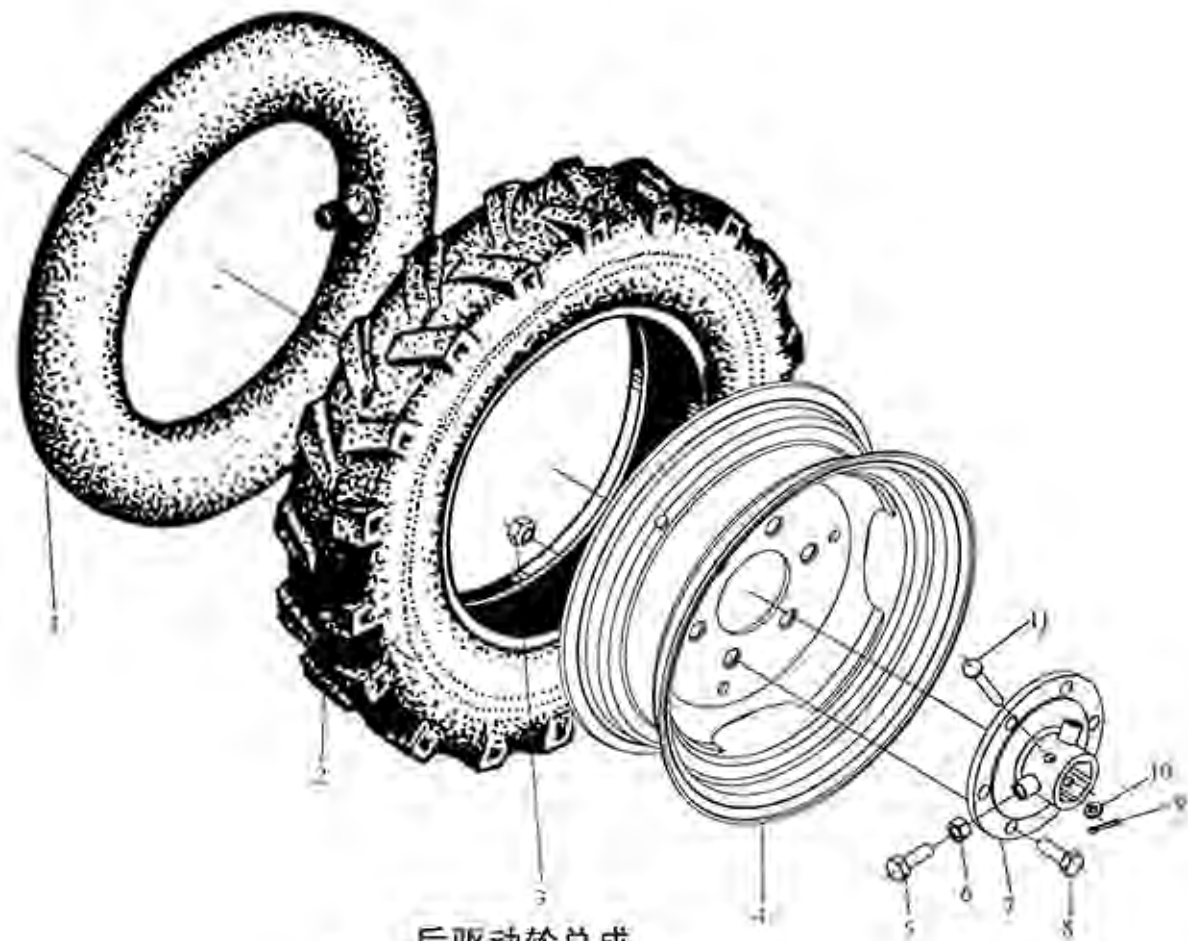


前驱动轮总成
Front Driving Wheel Assy

前驱动轮总成

Front driving wheel.

序号 Ser.No.	代号 Part No.	名称	Name	数量Qty.
				164Y
	164Y.32.001	前驱动轮总成	Front driving wheel.	2
1	GB/T2979	5.0-12前驱动轮内胎	Tube 5.0-12	2
2	GB/T2979	5.0-12前驱动轮外胎	Tyre 5.0-12	2
3	164Y.32.011	前驱动轮轮辋总成	wheel rim	2

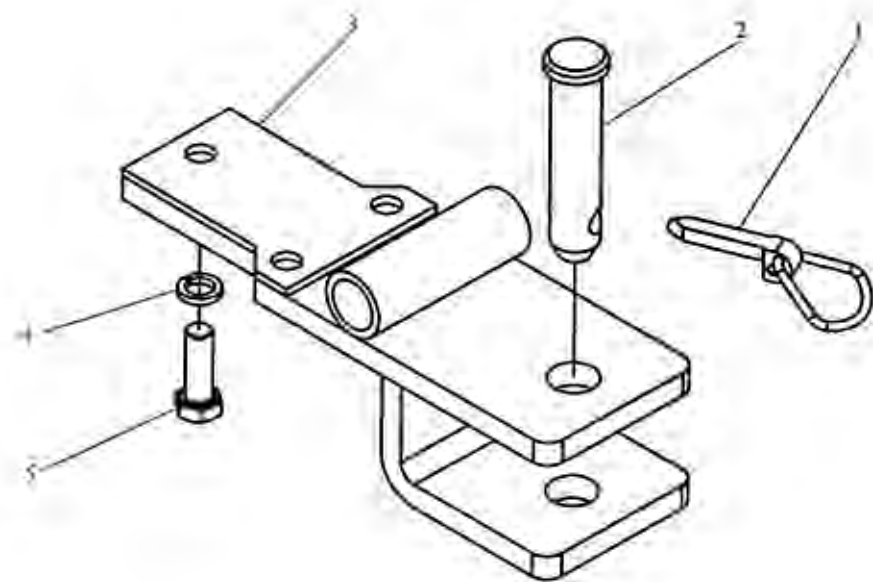


后驱动轮总成
Rear Driving Wheel Assy

后驱动轮总成

Driving wheel

序号 Ser.No.	代号 Part No.	名称	Name	数量Qty.
				164Y
	164Y.34.001	后驱动轮总成	Driving wheel	2
1	GB/T2979	7.5-16后驱动轮内胎	Tube 7.5-16	2
2	GB/T2979	7.5-16后驱动轮外胎	Tyre 7.5-16	2
3	300.39.114	螺母	Nut	12
4	164Y.34.011	后驱动轮轮辋焊合件	Rim assembly	2
5	GB/T5783	螺栓M14x55	Blot M14x55	4
6	GB/T6170	螺母M14	Nut M14	4
7	164Y.34.012	轮毂焊合件	Hub	2
8	300.39.113	螺栓	Blot	12
9	GB/T91	销3.2x16	Split pin 3.2x16	2
10	GB/T97.1	垫圈10	Plain washer 10	2
11	164Y.34.104	定位销	Pin	2

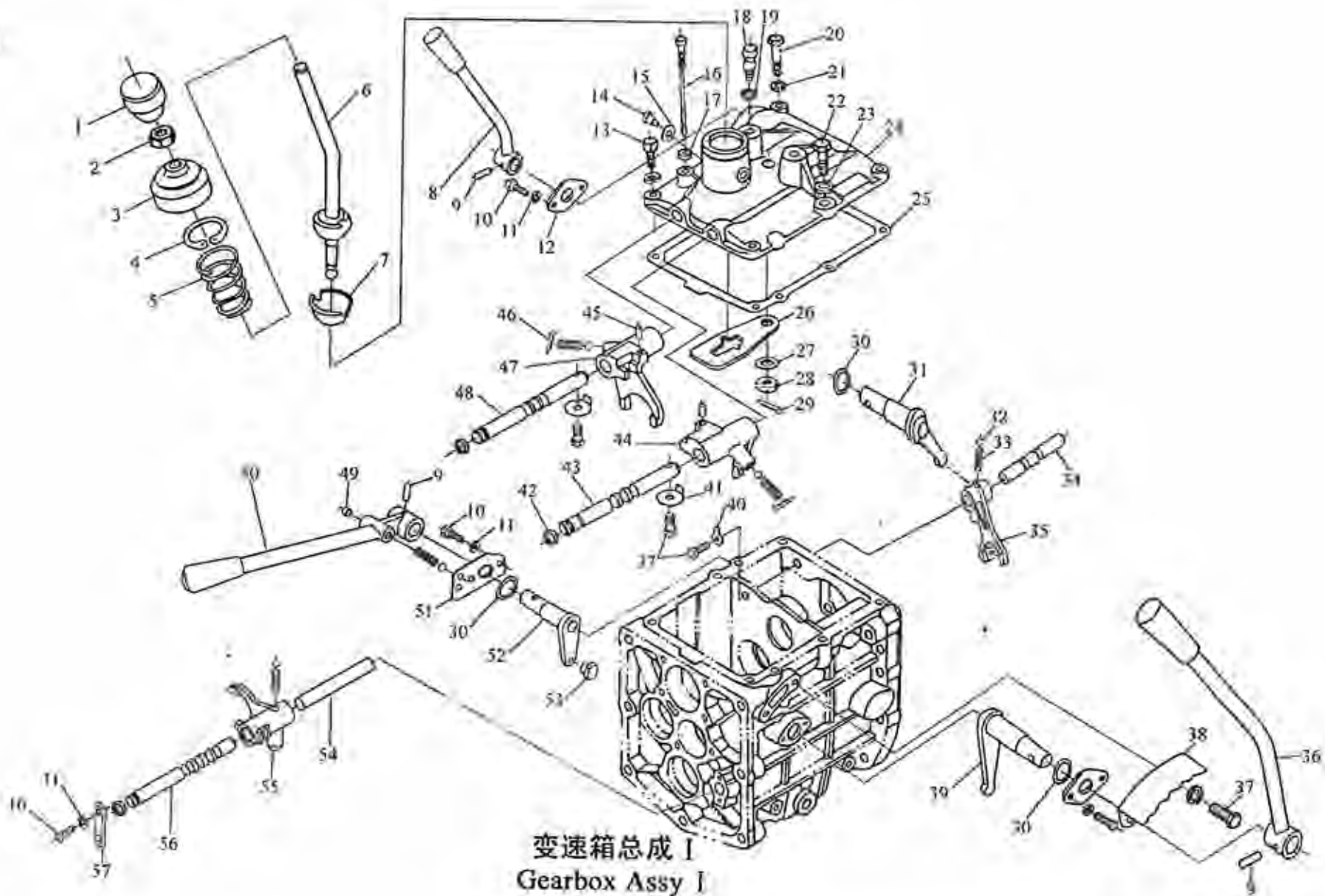


牵引装置总成
Drawbar

牵引装置总成

Drawbar

序号 Ser.No.	代号 Part No.	名 称	Name	数量Qty.
				164Y
	164Y.35.001-1	牵引装置总成	Drawbar	1
1	160.56.014	锁销总成	Lock pin	1
2	164Y.35.105	牵引销	Drawbar connecting pin	1
3	164Y.35.011-1	牵引板焊合件	Pendulum Drawbar assembly	1
4	GB/T93	垫圈12	Spring lock washer 12	3
5	GB/T5783	螺栓M12x35	Blot M12x35	3



变速箱总成 I
Gearbox Assy I

变速箱总成 I

Gearbox Assy I

序号 Ser.No.	代号 Part No.	名称	Name	数量Qty.
				164Y
	164Y.37.001	变速箱总成	Gearbox Assy	1
1	164Y.37.021	主变速手柄合件	Handle control lever	1
2	GB/T6170	螺母M10	Nut M10	1
3	164Y.37.141	主变速杆防水盖	Water guard cover,change speed lever	1
4	GB/T893.1	挡圈38	Circlip 38	1
5	164Y.37.140-1	主变速压紧弹簧	Spring,change speed lever	1
6	164Y.37.020	主变速杆焊合件	Control lever,main change speed	1
7	164Y.37.139	变速杆球头垫片	Spherical washer,change speed lever	1
8	164Y.37.013	副变速操纵杆合件	Control lever,secondary change speed	1
9	GB/T879	销5x24	Pin 5x24	3
10	GB/T5783	螺栓M6x16	Bolt M6x16	8
11	GB/T93	垫圈6	Spring lock washer 6	6
12	164Y.37.158	操纵杆挡片	Operation rod plate	1
13	GB/T5783	螺栓M8x25	Bolt M8x25	3
14	164Y.37.142	主变速杆限位螺钉	Main changing speed gear spacing bolt	2
15	D17-EAA-8	垫圈8	Compound washer 8	2
16	164Y.37.019	变速箱油尺总成	Dipstick assembly	1
17	12.37.146	垫圈	Washer	1
18	164Y.37.143	主变速框板螺钉	main changing deckle board bole	1
19	GB/T3452.1	O型密封圈9x1.8	O-ring 9x1.8	1
20	GB/T5782	螺栓M8x45	Bolt M8x45	1
21	GB/T93	垫圈8	Spring lock washer 8	6
22	GB/T5783	螺栓M10x30	Bolt M10x30	2

变速箱总成 I

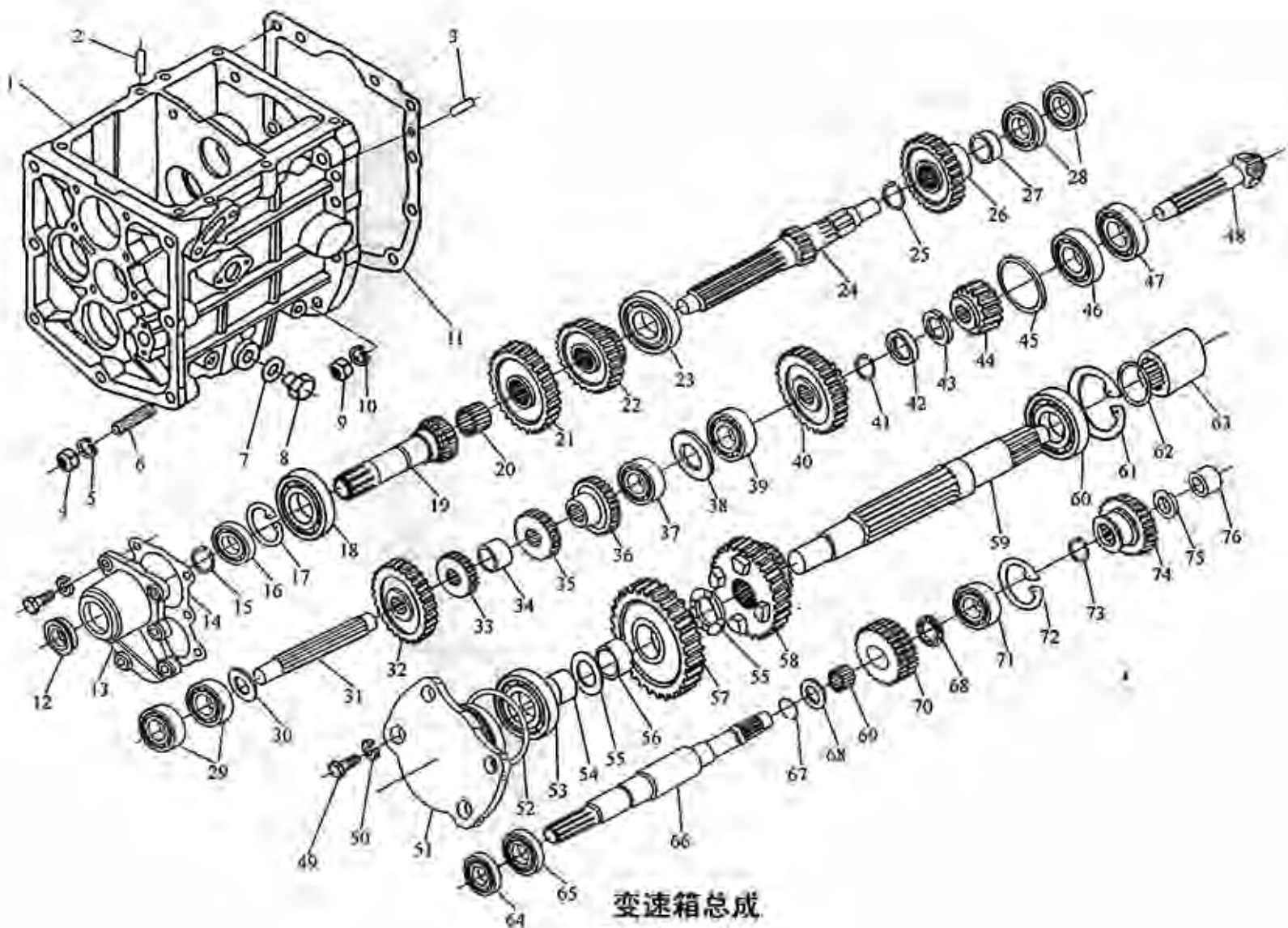
Gearbox Assy I

序号 Ser.No.	代号 Part No.	名称	Name	数量Qty. 164Y
23	GB/T93	垫圈10	Spring lock washer 10	2
24	164Y.37.136	变速箱盖	Transmissinon cover	1
25	164Y.37.177	主变速箱盖纸垫	Paper gasket	1
26	164Y.37.144	主变速框板	Guide plate,main change speed	1
27	GB/T97.1	垫圈10	Plain washer 10	1
28	GB/T6181	六角开槽薄螺母	Nut	1
29	GB/T91	销2.5x20	Split pin 2.5x20	1
30	GB/T3452.1	O型密封圈16x2.65	O-ring 16x2.65	3
31	164Y.37.012	副变速换挡拨头焊合件	Fork head,secondary change speed	1
32	GB/T308	钢球8	Steel ball	5
33	164Y.37.149	弹簧	Spring	5
34	164Y.37.157	高低档拨叉轴	High-low speed fork shaft	1
35	164Y.37.156	高低档拨叉	High-low speed fork	1
36	164Y.37.017	动力输出操纵杆合件	Guide plate,main change speed	1
37	GB/T5783	螺栓M8x16	Bolt M8x16	5
38	164Y.37.175	动力输出换挡标识板	P.T.O.gear changing marking plate	1
39	164Y.37.016	动力输出换挡拨头焊合件	P.T.O.gear changing weldment assy	1
40	GB/T854	单耳止动垫圈8	Washer 8	2
41	GB/T855	双耳止动垫圈8	Washer 8	1
42	GB/T3452.1	O型密封圈9.5x2.65	O-ring 9.5x2.65	3
43	164Y.37.148	II-III档拨叉轴	2nd-3rd shift fork shaft	1
44	164Y.37.146	II-III档拨叉	2nd-3rd shift fork	1
45	GB/T879	销5x16	Pin 5x16	2

变速箱总成 I

Gearbox Assy I

序号 Ser.No.	代号 Part No.	名称	Name	数量Qty.
				164Y
46	GB/T91	销3.2x25	Split pin 3.2x25	2
47	164Y.37.145	I-倒档拨叉	1st-reverse shift fork	1
48	164Y.37.147	I-倒档拨叉轴	1st-reverse shift fork shaft	1
49	300.37.302	螺塞M10x1	Plug M10x1	1
50	164Y.37.015	前驱动操纵杆合件	Front driving operation rod	1
51	164Y.37.166	前驱动换档定位片	Locating plate	1
52	164Y.37.014	前驱动拨叉焊合件	Front drive release fork	1
53	164Y.37.167	前驱动分离拨头	Front drive release fork head	1
54	164Y.38.110	顶杆	Piston rod	1
55	164Y.37.172	动力输出拨叉	P.T.O fork	1
56	164Y.37.173	动力输出拨叉轴	P.T.O fork shaft	1
57	164Y.37.176	封板	Closing plate	1



变速箱总成
Gearbox Assy

变速箱总成 II

Gearbox Assy II

序号 Ser.No.	代号 Part No.	名称	Name	数量Qty.
				164Y
1	164Y.37.101	变速箱体	Gearbox body	1
2	GB/T119	销B8x14	Parallel pin B8x14	2
3	GB/T119	销B8x18	Parallel pin B8x18	2
4	GB/T6171	螺母M12x1.25	Nut M12x1.25	7
5	GB/T93	垫圈12	Spring lock washer 12	7
6	GB/T899	螺柱AM12-M12x1.25x25	Stud M12x1.25x25	7
7	DI7-EAA-16	复合垫圈16	Compound washer 16	1
8	GB/T5786	螺栓M16x1.5x18	Bolt M16x1.5x18	1
9	GB/T6170	螺母M10	Nut M10	9
10	GB/T93	垫圈10	Spring lock washer 10	9
11	164Y.37.180	变速箱体-后桥纸垫	Paper gasket between intermediate axle and transmission	1
12	GB/T9877.1	骨架油封SG17x30x8	Oil seal SG17x30x8	1
13	164Y.37.122	一轴前端盖	Rear front cover 1st shaft	1
14	164Y.37.123	一轴前端盖纸垫	Gasket	1
15	GB/T894.1	挡圈17	Circlip 17	1
16	GB/T276	轴承6203	Rolling bearing 6203	1
17	GB/T893.1	挡圈40	Circlip 40	1
18	GB/T276	轴承6304	Rolling bearing 6304	1
19	164Y.37.102	动力输入齿轮轴	Gear	1
20	GB/T5840	滚针轴承K16x20x17	Needle roller bearing K16x20x17	1
21	164Y.37.103	I-R档滑动齿轮	Sliding gear, 1st reverse speed	1
22	164Y.37.104	II-III档滑动齿轮	Sliding gear, 2nd-3rd speed	1
23	GB/T276	轴承6005	Rolling bearing 6005	1

变速箱总成 II

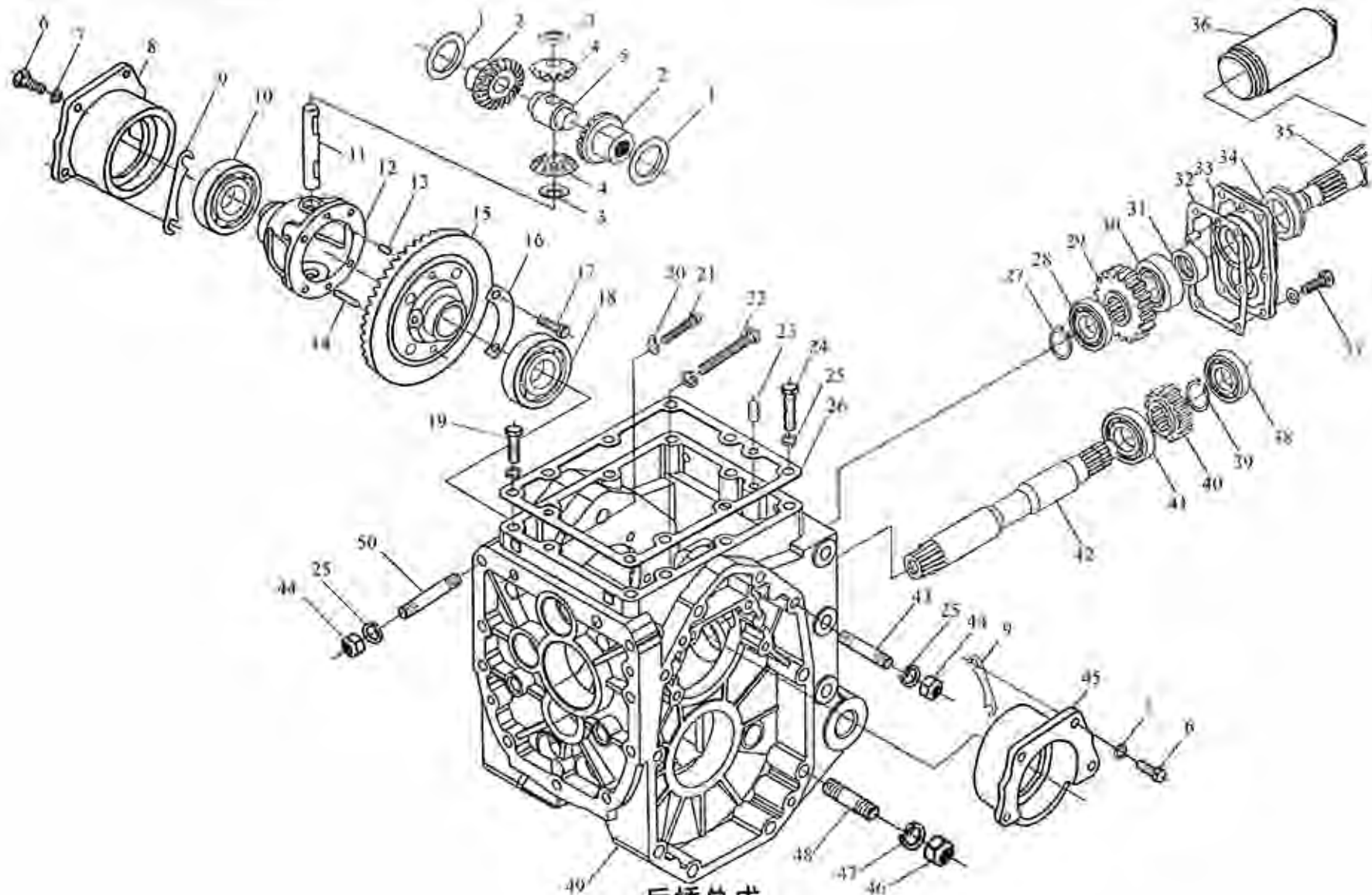
Gearbox Assy II

序号 Ser.No.	代号 Part No.	名称	Name	数量Qty.
				164Y
24	164Y.37.105	第一轴	1st shaft	1
25	GB/T894.1	挡圈24	Circlip 24	1
26	164Y.37.106	高档固定齿轮	High-low speed gear	1
27	164Y.37.124	高档固定齿轮隔套	Spacing sleeve	1
28	GB/T276	轴承6202	Rolling bearing 6202	2
29	GB/T276	轴承6203	Rolling bearing 6203	2
30	164Y.37.125	挡片	Block slice	1
31	164Y.37.111	第二轴	2nd shaft	1
32	164Y.37.107	动力输入从动齿轮	Power Input driven gear	1
33	164Y.37.108	I档固定齿轮	1st speed gear	1
34	164Y.37.126	I-II档固定齿轮隔套	Spacing sleeve,1st-2nd speed gear	1
35	164Y.37.109	II档固定齿轮	2nd speed gear	1
36	164Y.37.110	III档固定齿轮	3rd speed gear	1
37	GB/T276	轴承6302	Rolling bearing 6302	1
38	164Y.37.155	隔片	Separate slice	1
39	GB/T292	角接触球轴承7204B	Bearing 7204B	1
40	164Y.37.112	高低档滑动齿轮	Sliding gear,high low speed	1
41	GB/T894.1	挡圈25	Circlip 25	1
42	164Y.37.154	前驱动固定齿轮隔套	Front driving fixed gear spacer	1
43	164Y.37.153	前驱动固定齿轮分体隔套	Bush	1
44	164Y.37.113	前驱动固定齿轮	Fixing gear,front drive	1
45	GB/T305	止动环62/67.7	Thrust ring 62/67.7	1
46	GB/T276	轴承6305N	Rolling bearing 6305N	1

变速箱总成 II

Gearbox Assy II

序号 Ser.No.	代号 Part No.	名称	Name	数量Qty.
				164Y
47	GB/T276	轴承6305	Rolling bearing 6305	1
48	164Y.37.114	小圆锥齿轮	Small bevel gear	1
49	GB/T5780	螺栓M8x25	Bolt M8x25	10
50	GB/T93	垫圈8	Spring lock washer 8	10
51	164Y.37.178	第三轴前端盖	The 3rd shaft front cover	1
52	GB/T3452.1	O型密封圈42.5x2.65	O-ring 42.5x2.65	1
53	GB/T276	轴承6303	Rolling bearing 6303	1
54	164Y.37.133	动力输出低档齿轮隔套	Spacing sleeve	1
55	164Y.37.134	动力输出低档齿轮止退环	Thrust ring	2
56	164Y.37.135	动力输出低档齿轮衬套	P.T.O. undrive gear bush	1
57	164Y.37.118	动力输出低档齿轮	P.T.O. low speed gear	1
58	164Y.37.119	动力输出中高档齿轮	P.T.O. medium-high speed gear	1
59	164Y.37.120	第三轴	3rd shaft	1
60	GB/T276	轴承6205	Rolling bearing 6205	1
61	GB/T893.1	挡圈52	Circlip 52	1
62	GB/T895.2	轴用钢丝挡圈25	Circlip 25	1
63	164Y.37.121	动力输出花键套	P.T.O. spline sleeve	1
64	GB/T9877.1	油封FB20x35x7	Oil seal FB20x35x7	1
65	GB/T276	轴承6004	Rolling bearing 6004	1
66	164Y.37.117	倒档轴	Reverse shaft	1
67	GB/T894.1	挡圈22	Circlip 22	1
68	164Y.37.130	倒档齿轮止退环	Thrust ring, reverse speed gear	2
69	GB/T5840	滚针轴承K22x28x16	Needle bearing K22x28x16	1



后桥总成
Rear Axle Assy

后桥总成

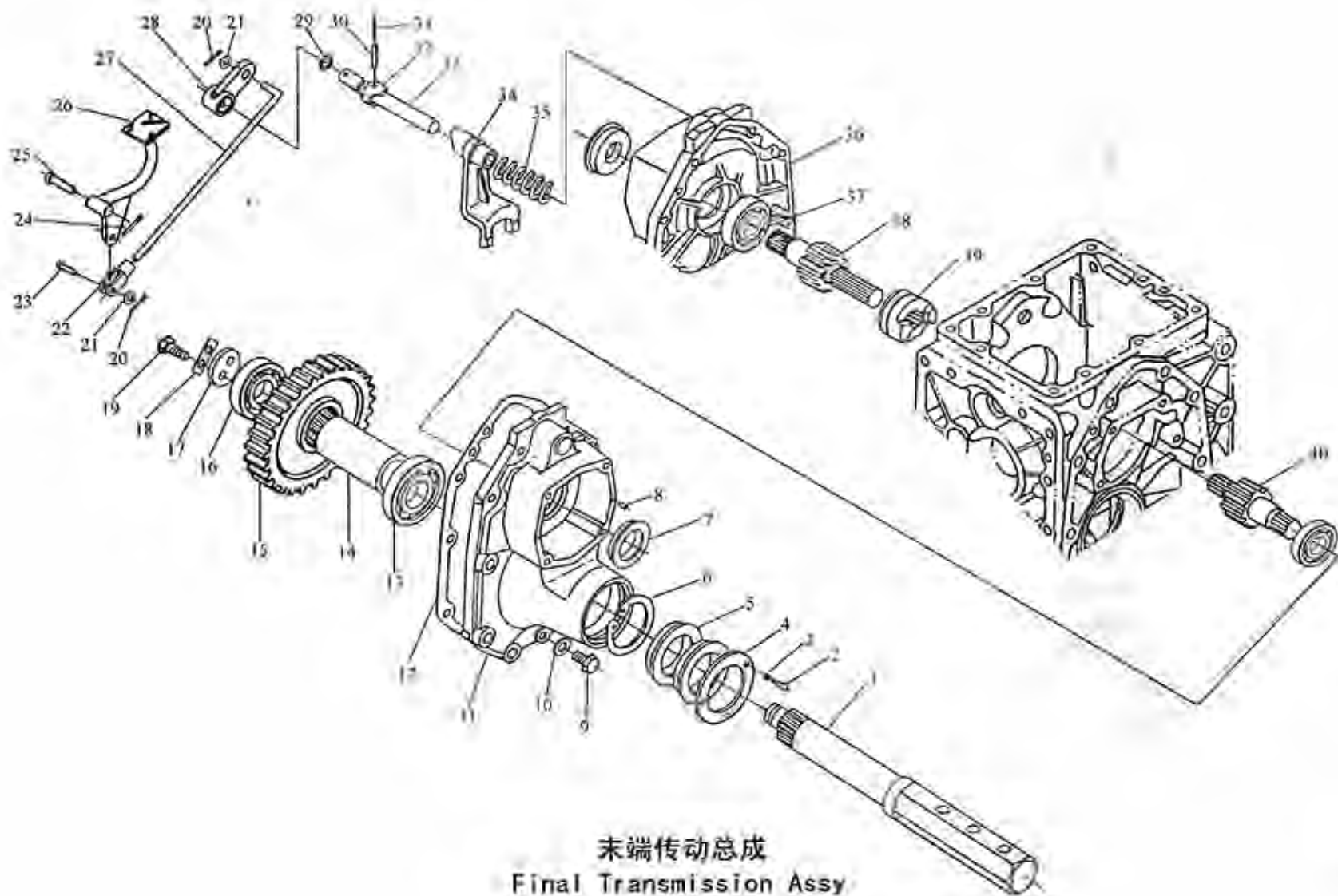
Rear Axle Assy

序号 Ser.No.	代号 Part No.	名称	Name	数量Qty.
				164Y
	164Y.38.001	后桥总成	Rear Axle Assy	1
1	184.31.181	半轴齿轮垫圈	Washer,differential adjusting seat	2
2	164Y.38.121	差速器半轴齿轮	Differential side gear	2
3	184.31.182	行星齿轮垫圈	Washer,planet gear	2
4	184.31.183	差速器行星齿轮	Planet gear	2
5	164Y.38.114	限位块	Stop	1
6	GB/T5783	螺栓M8x25	Bolt M8x25	8
7	GB/T93	垫圈8	Spring lock washer 8	8
8	164Y.31.117	差速器右轴承座	Right differential bearing seat	1
9	164Y.31.119	调整垫片II	Adjusting shims II	△
10	GB/T276	轴承6010	Rolling bearing 6010	1
11	164Y.31.113	行星齿轮轴	Planet gear shaft	1
12	164Y.38.116	差速器壳体	Differential housing	1
13	164Y.31.117	定位销II	Fitting pin II	1
14	164Y.31.112	定位销I	Fitting pin I	1
15	164Y.38.111	从动齿轮	Driven gear	1
16	164Y.31.116	锁片	Locking plate	2
17	GB/T5783	螺栓M8x20	Bolt M8x20	4
18	GB/T276	轴承6009	Rolling bearing 6009	1
19	GB/T5783	螺栓M10x35	Bolt M10x35	6
20	GB/T854	单耳止动垫圈8	Washer 8	1
21	GB/T5783	螺栓M8x40	Bolt M8x40	1
22	GB/T5783	螺栓M10x45	Bolt M10x45	1

后桥总成

Rear Axle Assy

序号 Ser.No.	代号 Part No.	名称	Name	数量Qty.
				164Y
23	GB/T119	销B8x20	Parallel pin B8x20	7
24	GB/T5783	螺栓M10x40	Bolt M10x40	3
25	GB/T93	垫圈10	Spring lock washer 10	30
26	164Y.38.120	提升器纸垫	Lift washer	1
27	164Y.38.123	挡圈20	Circlip 20	1
28	GB/T276	轴承6204	Rolling bearing 6204	1
29	164Y.38.104	动力输出从动齿轮	P.T.O.driven gear	1
30	GB/T276	轴承6205	Rolling bearing 6205	1
31	164Y.38.107	动力输出隔套	P.T.O.spacer	1
32	164Y.38.109	后轴承座纸垫	Rear bearing seat washer	1
33	164Y.38.102	后轴承盖	Rear bearing cover	1
34	GB/T9877.1	油封FB35x50x8	Oil seal FB35x50x8	1
35	164Y.38.106	动力输出轴	P.T.O.shaft	1
36	160.37.159-2	动力输出轴护罩	P.T.O.shaft guard	1
37	GB/T5783	螺栓M10x25	Bolt M10x25	6
38	GB/T276	轴承6303	Rolling bearing 6303	1
39	GB/T894.1	挡圈25	Circlip 25	1
40	164Y.38.103	动力输出主动齿轮	P.T.O.driving gear	1
41	GB/T276	轴承6205	Rolling bearing 6205	1
42	164Y.38.105	动力输出主动轴	P.T.O. drive shaft	1
43	GB/T899	螺柱M10-M10x1.25x40	Stud M10-M10x1.25x40	14
44	GB/T6171	螺母M10x1.25	Nut M10x1.25	17
45	164Y.38.118	差速器左轴承座	Left differential bearing seat	1



末端传动总成
Final Transmission Assy

末端传动总成

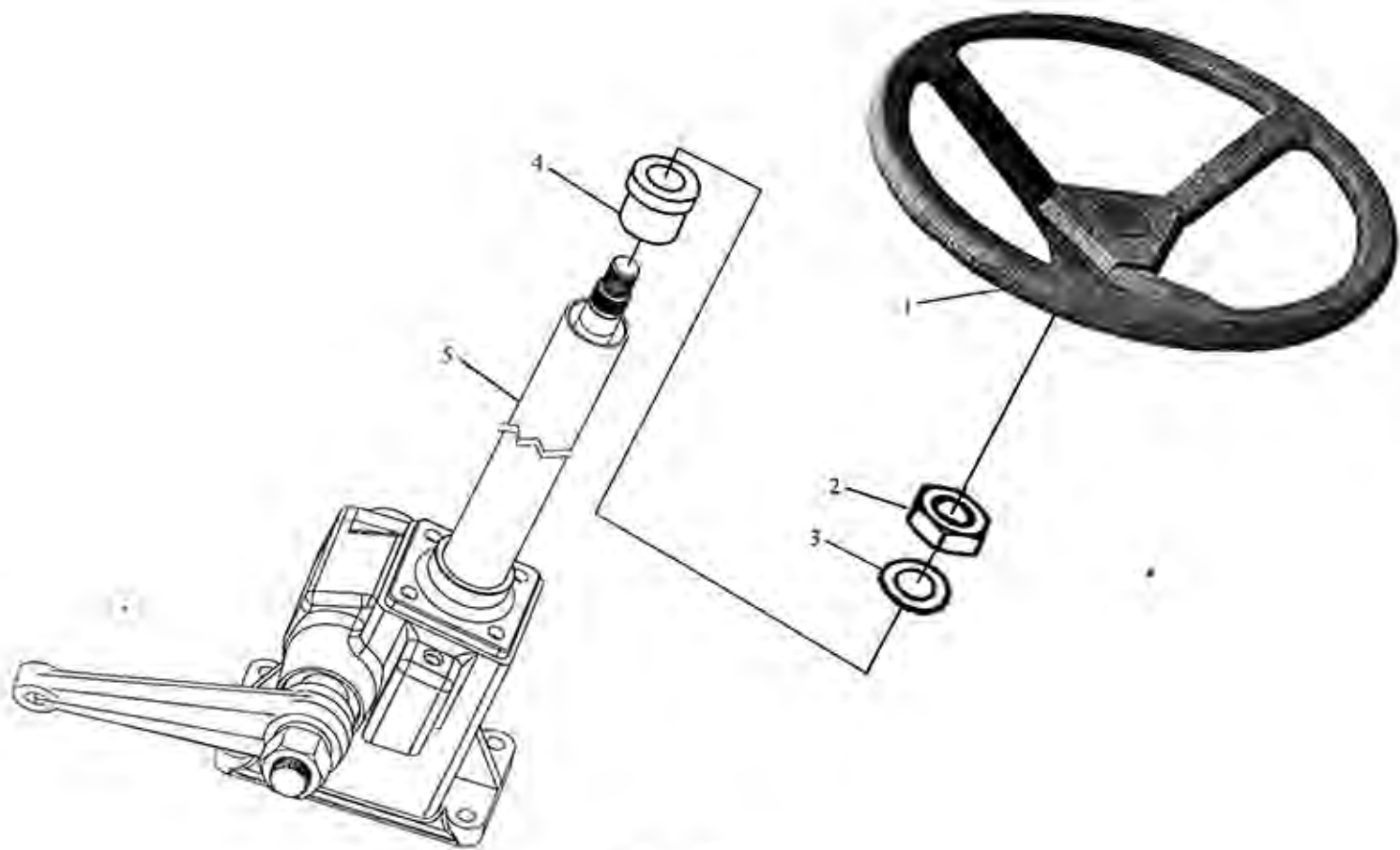
Final Transmission Assy

序号 Ser.No.	代号 Part No.	名称	Name	数量Qty.
				164Y
	164Y.39.001	末端传动总成	Final Transmission Assy	1
1	164Y.39.104A	驱动轴	Driving shaft	2
2	GB/T5783	螺栓M6x16	Bolt M6x16	6
3	GB/T93	垫圈6	Spring lock washer	6
4	164Y.39.127	油封盖板	Cover plate	2
5	GB/T9877.1	油封FB55x80x10	Oil seal FB55x80x10	4
6	GB/T893.1	挡圈80	Circlip for hole 80	2
7	164Y.39.109	油封	Oil seal	2
8	GB/T119	销6x12	Parallel pin6x12	4
9	JB/T798	螺塞M12x1.5	Plug M12x1.5	2
10	D17-EAA-12	垫圈12	Washer 12	2
11	164Y.39.101A	左末端传动壳体	Left final drive housing	1
12	164Y.39.103-1	衬垫	Gasket	2
13	GB/T276	轴承6208	Rolling bearing 6208	2
14	164Y.39.105A	隔套	Spacing sleeve	2
15	164Y.39.106	被动齿轮	Passive wheel gear	2
16	GB/T276	轴承6306	Rolling bearing 6306	2
17	164Y.39.125	挡块	Stop plate	2
18	164Y.39.126	锁片	Locking plate	2
19	GB/T5783	螺栓M8x20	Bolt M8x20	4
20	GB/T91	销3.2x20	Split pin 3.2x20	2
21	GB/T97.1	垫圈8	plain washer 8	2
22	164Y.39.013	叉板焊合件	Fork plank	1

末端传动总成

Final Transmission Assy

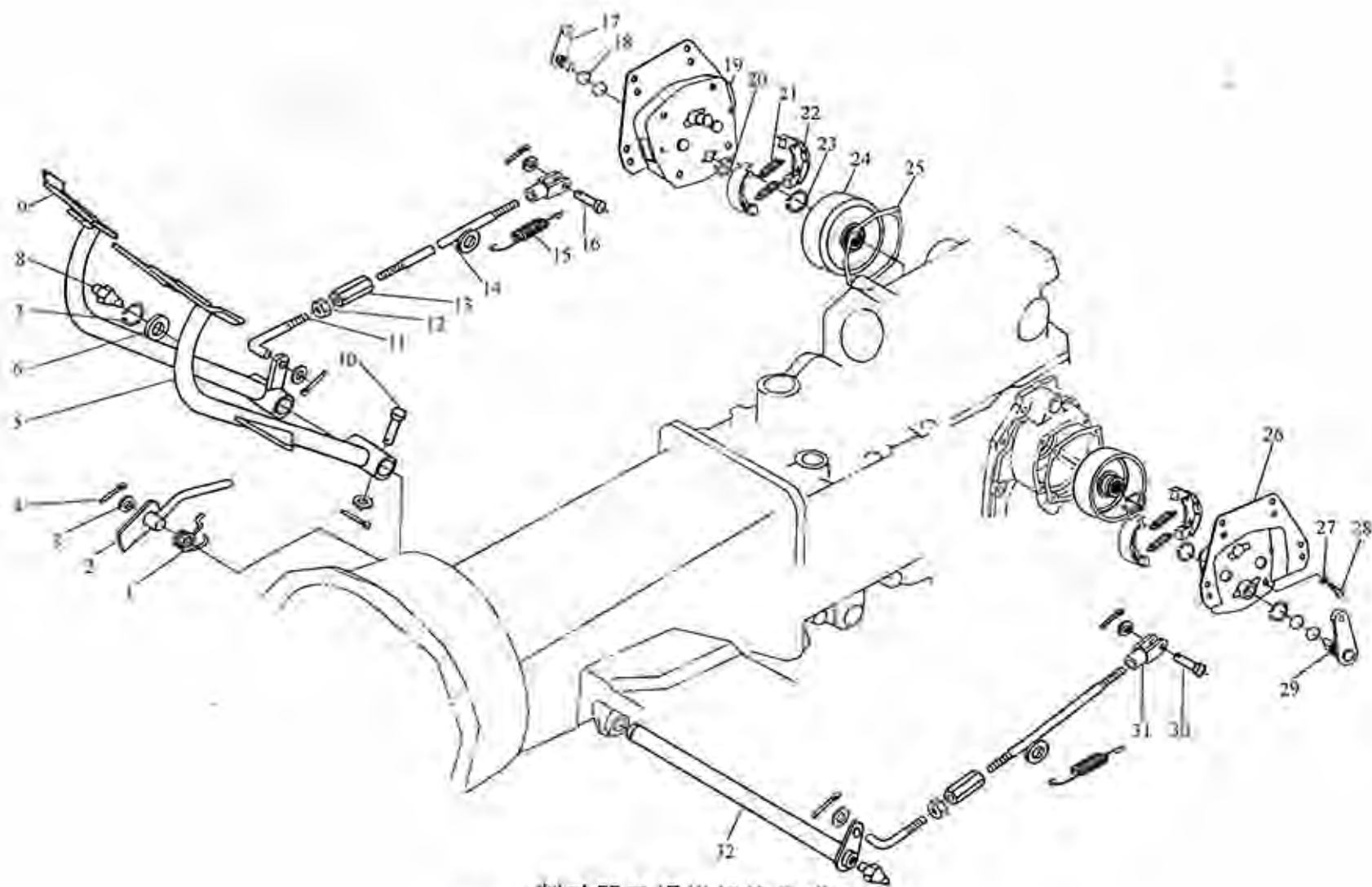
序号 Ser.No.	代号 Part No.	名称	Name	数量Qty.
				164Y
23	GB/T882	销轴B8x20	Axis pin B8x20	1
24	GB/T91	销3.2x20	Split pin 3.2x20	1
25	164Y.39.123	差速器踏板销	Differential lock pedal pin	1
26	164Y.39.012A	差速锁踏板焊合件	Differential lock pedal	1
27	164Y.39.120A	差速锁拉杆	Differential lock rod	1
28	164Y.39.011	摇臂焊合件	Rocker arm	1
29	GB/T3452.1	O型密封圈10.6x1.8	O-ring 10.6x1.8	1
30	GB/T879	销5x24	Pin 5x24	2
31	GB/T879	销3x24	Pin 3x24	2
32	164Y.39.113	拔叉头	Fork head	1
33	164Y.39.114	拔叉轴	Fork shaft	1
34	164Y.39.111	差速锁拔叉	Fork	1
35	164Y.39.112	差速锁弹簧	Spring	1
36	164Y.39.102A	右末端传动壳体	Right final drive housing	1
37	GB/T276	轴承6305	Rolling bearing 6305	2
38	164Y.39.108	右半轴	Right semi axle	1
39	164Y.39.110	差速锁牙嵌	Differential lock claw	1
40	164Y.39.107	左半轴	Left semi axle	1



转向器总成
Steering Gear

转向器总成
Steering Gear

序号 Ser.No.	代号 Part No.	名称	Name	数量Qty.
				164Y
1	160.40.020	方向盘总成	Steering wheel assy	1
2	GB/T6171	螺母M16x1.5	Nut M16x1.5	1
3	GB/T97.1	垫圈16	Washer 16	1
4	184.40.202	上油封	Upper oil seal	1
5	164Y.40.002	转向器总成	Steering Gear	1



制动器及操纵机构总成
Brake and Operation Mechanism

制动器及操纵机构总成

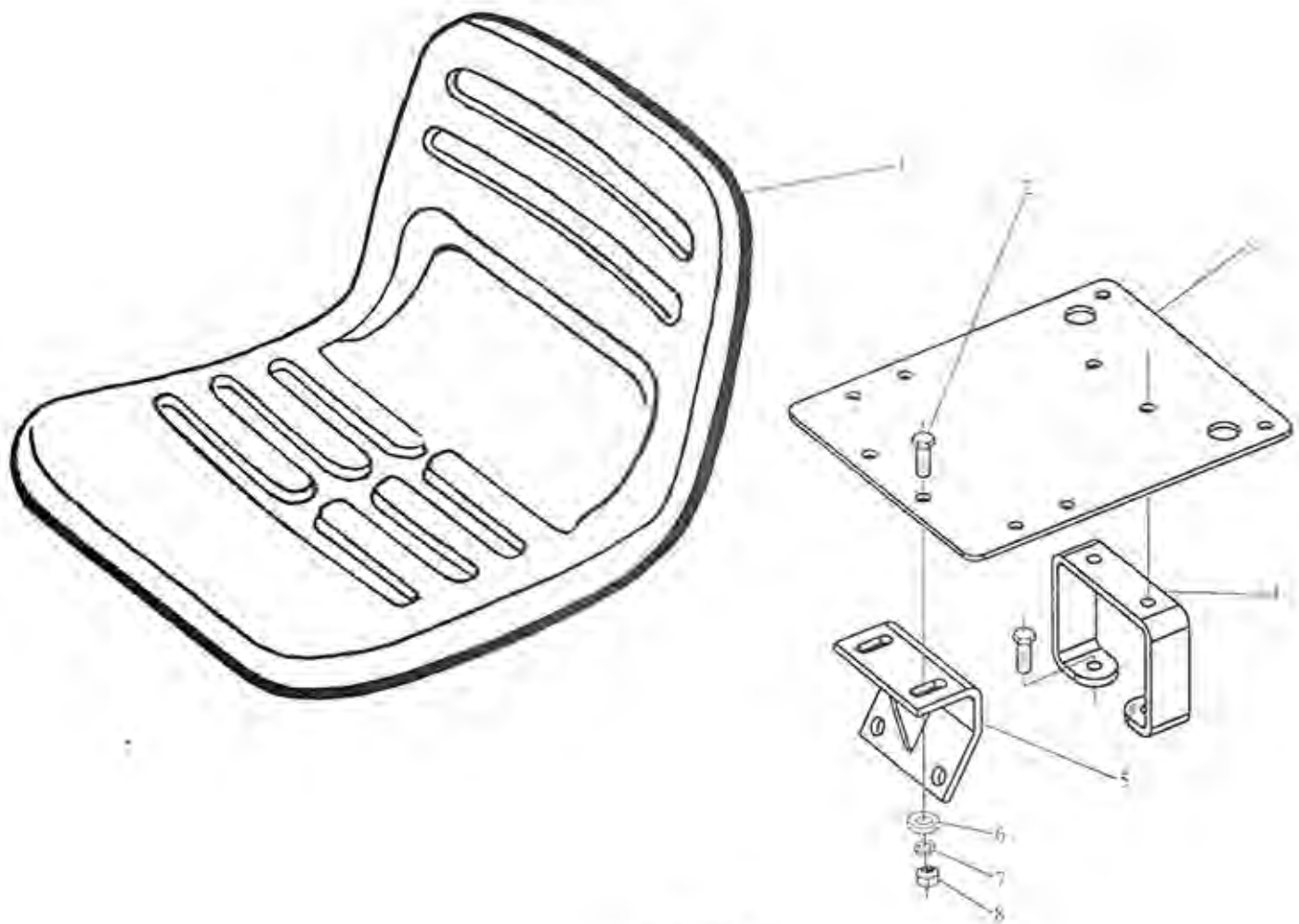
Brake and Operation Mechanism

序号 Ser.No.	代号 Part No.	名称	Name	数量Qty.
				164Y
	164Y.43.001	制动器及操纵机构总成	Brake and operation mechanism Assy	1
1	164Y.43.117	扭簧	Spring	1
2	164Y.43.019-2	手制动手柄焊合件	Hand handle	1
3	GB/T97.1	垫圈8	Plain washer 8	6
4	GB/T91	销3.2x20	Split pin 3.2x20	6
5	164Y.43.020A	左制动踏板焊合件	Left pedal	1
6	164Y.43.131	垫圈	Washer	1
7	GB/T894.1	挡圈25	Circlip 25	1
8	JB/T7940.1	油杯M8x1	Oil cup M8x1	2
9	164Y.43.021A	右制动踏板焊合件	Right pedal	1
10	GB/T882	销轴8x45	Axis pin 8x45	1
11	164Y.43.113	短拉杆	Short rod	2
12	GB/T6170	螺母M8	Nut M8	2
13	164Y.43.114	调节螺杆	Adjusting rod	2
14	164Y.43.017A	制动长拉杆焊合件	Long rod	2
15	164Y.43.130	回位弹簧	Spring	2
16	GB/T882	销轴8x30	Axis pin 8x30	2
17	164Y.43.013-1	右凸轮轴焊合件	Right cam shaft	1
18	GB/T3452.1	O形密封圈17x1.8	O-ring 17x1.8	4
19	164Y.43.016-1	右制动盖焊合件	Right cover	1
20	GB/T894.1	挡圈20	Circlip 20	2
21	164Y.43.105	制动蹄回位弹簧	Spring	4
22	164Y.43.012	制动蹄总成	Brake shoe assembly	2

制动器及操纵机构总成

Brake and Operation Mechanism

序号 Ser.No.	代号 Part No.	名称	Name	数量Qty.
				164Y
23	GB/T894.1	挡圈22	Circlip 22	2
24	164Y.43.011-1	制动毂焊合件	Drum	2
25	164Y.43.132	制动器纸垫	Gasket	2
26	164Y.43.015-1	左制动盖焊合件	Left cover	1
27	GB/T93	垫圈8	Spring lock washer 8	8
28	GB/T5783	螺栓M8x20	Bolt M8x20	8
29	164Y.43.014-1	左凸轮焊合件	Left cam shaft	1
30	GB/T882	销轴8x30	Axis pin 8x30	2
31	160.43.103	制动拉杆调整叉	Adjusting yolk	2
32	164Y.43.018	踏板轴焊合件	Shaft	1

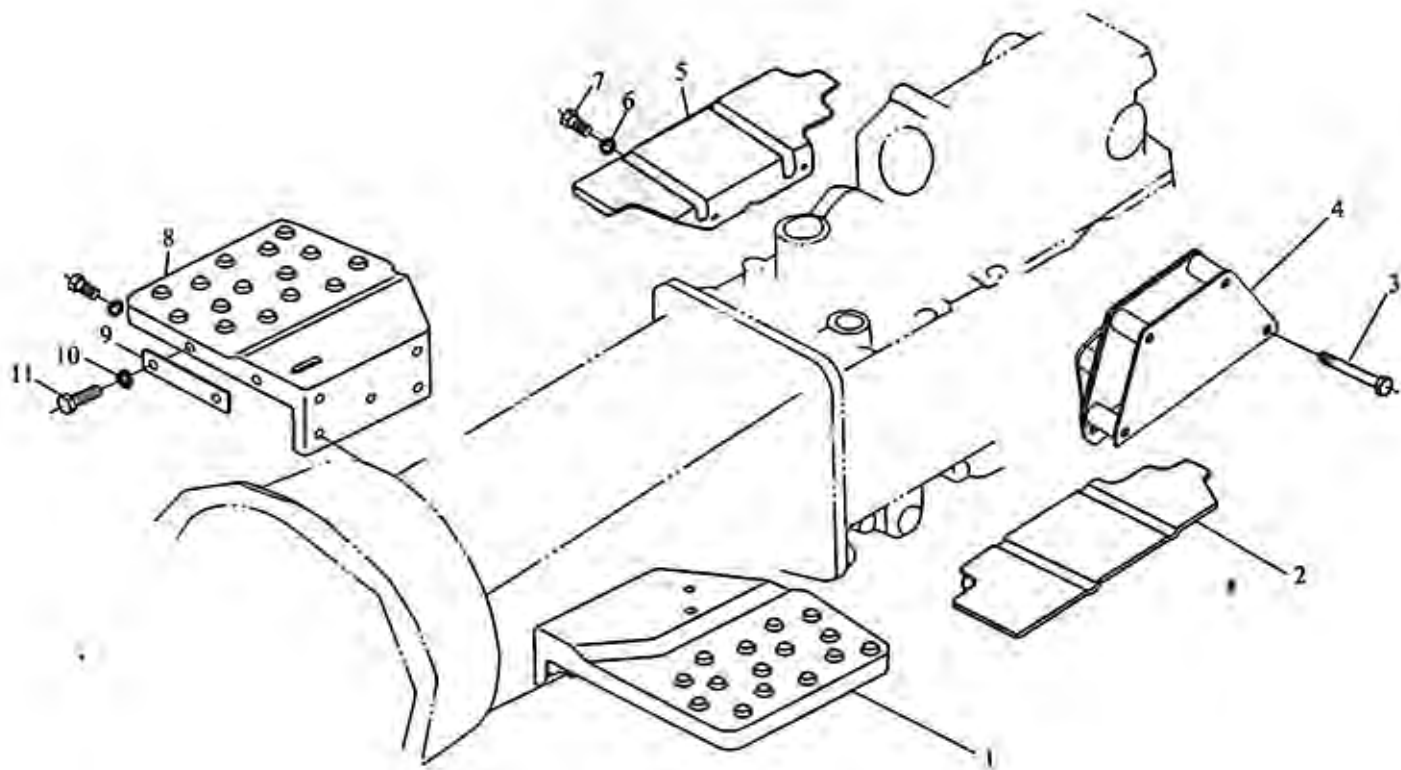


座椅总成
Seat Assy

座椅总成

Seat

序号 Ser.No.	代号 Part No.	名 称	Name	数量Qty.
				164Y
	164Y.44.001-1	座椅总成	Seat	1
1	160.44.002	座椅总成	Seat	1
2	GB/T5783	螺栓M8*25	Bolt M8x25	8
3	164Y.44.104	座椅支撑板	Support plate	1
4	164Y.44.102	后支架	Rear support	1
5	164Y.44.011	前支架焊合件	Front support	1
6	GB/T97.1	垫圈8	Plain washer 8	8
7	GB/T93	垫圈8	Spring lock washer 8	8
8	GB/T6170	螺母M8	Nut M8	8

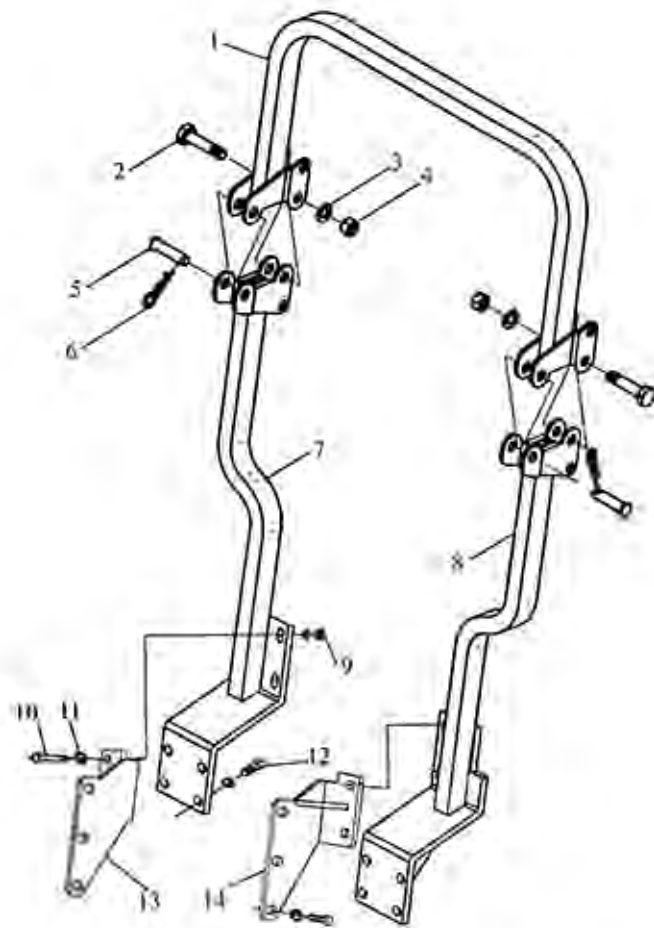


脚地板总成
Floor Assy

脚地板总成

Floor Assy

序号 Ser.No.	代号 Part No.	名称	Name	数量Qty.
				164Y
	164Y.45.001A	脚地板总成	Floor Assy	1
1	164Y.45.010A	左脚底板焊合作	Left step	1
2	164Y.45.120A	左后脚地板	Left rear step	1
3	GB/T5782	螺栓M8x75	Bolt M8x75	8
4	164Y.45.021-1	固定板焊合作	Fixed bracket	2
5	164Y.45.121A	右后脚地板	Right rear step	1
6	GB/T93	垫圈10	Spring lock washer 10	4
7	GB/T5783	螺栓M10x20	Bolt M10x20	4
8	164Y.45.011A	右脚底板焊合作	Right step	1
9	164Y.45.107	垫板	Stool plate	1
10	GB/T93	垫圈8	Spring lock washer 8	12
11	GB/T5783	螺栓M8x20	Bolt M8x20	12

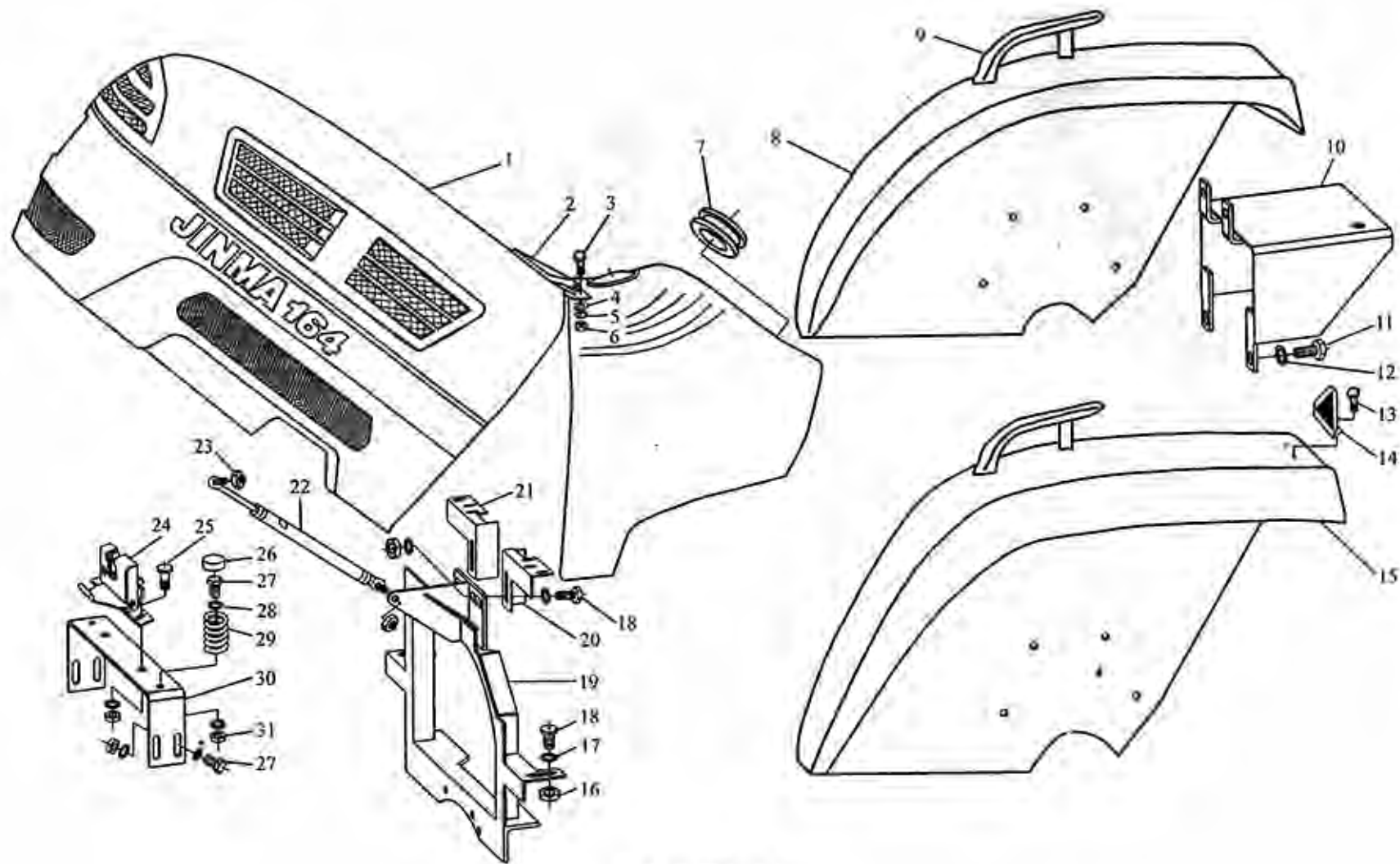


折叠式安全架总成
Roll-over Protective Structure

安全架总成

Roll-over Protective Structure

序号 Ser.No.	代号 Part No.	名称	Name	数量Qty.
				164Y
1	164Y.45.022	安全架上框焊合件	Upper frame	1
2	300.45.102	螺栓	Bolt	2
3	GB/T95	垫圈24	Plain washer	4
4	GB/T886	螺母M24	Nut M24	2
5	300.45.101	销轴	Pin axle	2
6	180.45.309	弹簧锁销	Stop pin	2
7	164Y.45.024	安全架右撑管焊合件	Right support	1
8	164Y.45.023	安全架左撑管焊合件	Left support	1
9	GB/T6170	螺母M12	Nut M12	4
10	GB/T5782	螺栓M12x30	Bolt M12x30	4
11	GB/T93	垫圈12	Spring lock washer 12	22
12	GB/T5782	螺栓M12x20	Bolt M12x20	14
13	164Y.45.026	右侧固定板焊合件	Right side fixed plate weldment assy	1
14	164Y.45.025	左侧固定板焊合件	Left side fixed plate weldment assy	1



覆盖件总成
Cover

覆盖件总成

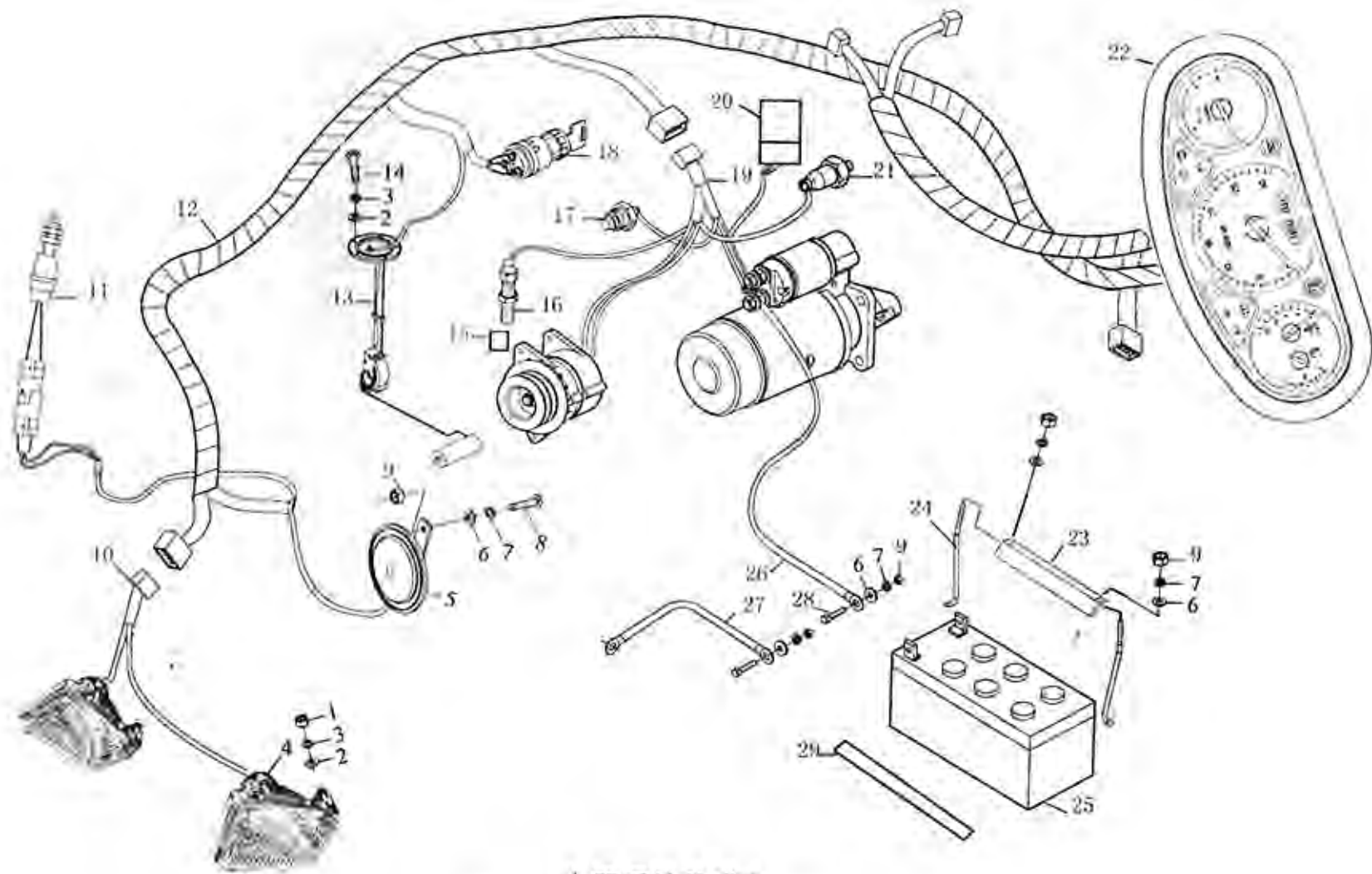
Cover

序号 Ser.No.	代号 Part No.	名称	Name	数量Qty.
				164Y
	164Y.47.001	覆盖件总成	Cover	1
1	164Y.47B.011	前翻机罩	Engine hood	1
2	BL-017-A	铰链组合件	Hingle	2
3	GB/T819	十字槽沉头螺钉M5x30	Screw M5x30	12
4	GB/T97.1	垫圈5	Washer 5	12
5	GB/T93	垫圈5	Washer 5	12
6	GB/T6170	螺母M5	Nut M5	12
7	BL-116	转向管柱支架	Rubber support	1
8	164Y.47B.051	护板(右)	Mud shield (right)	1
9	400.47.024A	扶手	Hand rail	2
10	164Y.47.010-1	动力输出轴防护罩焊合件	P.T.O.shaft guard	1
11	GB/T5783	螺栓M12x25	Bolt M12x25	2
12	GB/T93	垫圈12	Washer 12	2
13	GB/T5783	螺栓M6x20	Bolt M6x20	2
14	180.47.402	后反射器	Caution mark	1
15	164Y.47B.051	护板(左)	Mud shield (left)	1
16	GB/T6170	螺母M10	Nut M10	6
17	GB/93	垫圈10	Washer 10	6
18	GB/T5783	螺栓M10x35	Bolt M10x35	4
19	164Y.47.014	机罩支架	Hood support	1
20	250.47.707-A	三角撑II	Triangle tie II	1
21	250.47.706-A	三角撑I	Triangle tie I	1
22	D25-YQ10-140-400	气弹簧	Shock absorber	1

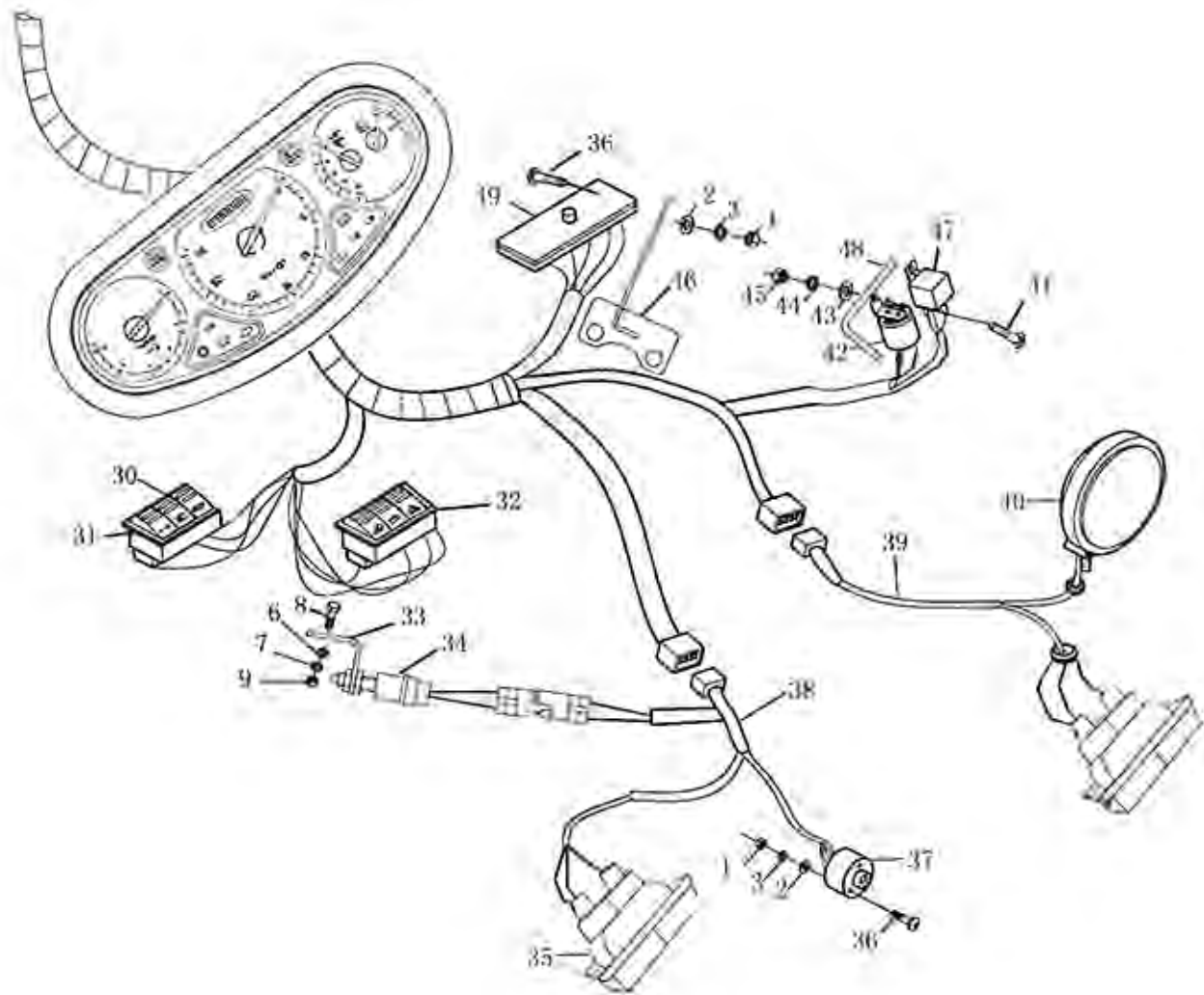
覆盖件总成

Cover

序号 Ser.No.	代号 Part No.	名称	Name	数量Qty.
				164Y
23	GB/T889	螺母M8	Nut M8	2
24	254.47.090	机罩锁	Hood lock	1
25	GB/T5783	螺栓M10x25	Bolt M10x25	2
26	250.47.422	弹簧座	Spring	2
27	GB/T5783	螺栓M8x25	Bolt M8x25	6
28	GB/T93	垫圈8	Washer 8	6
29	250.47.421	弹簧	Spring	2
30	164Y.47.213-1	机罩锁固定支架	Engine hood	1
31	GB/T6170	螺母M8	Nut M8	6



电器系统总成 I
Electrical System Assey I



电器系统总成 II
Electrical System Assey II

电器系统总成

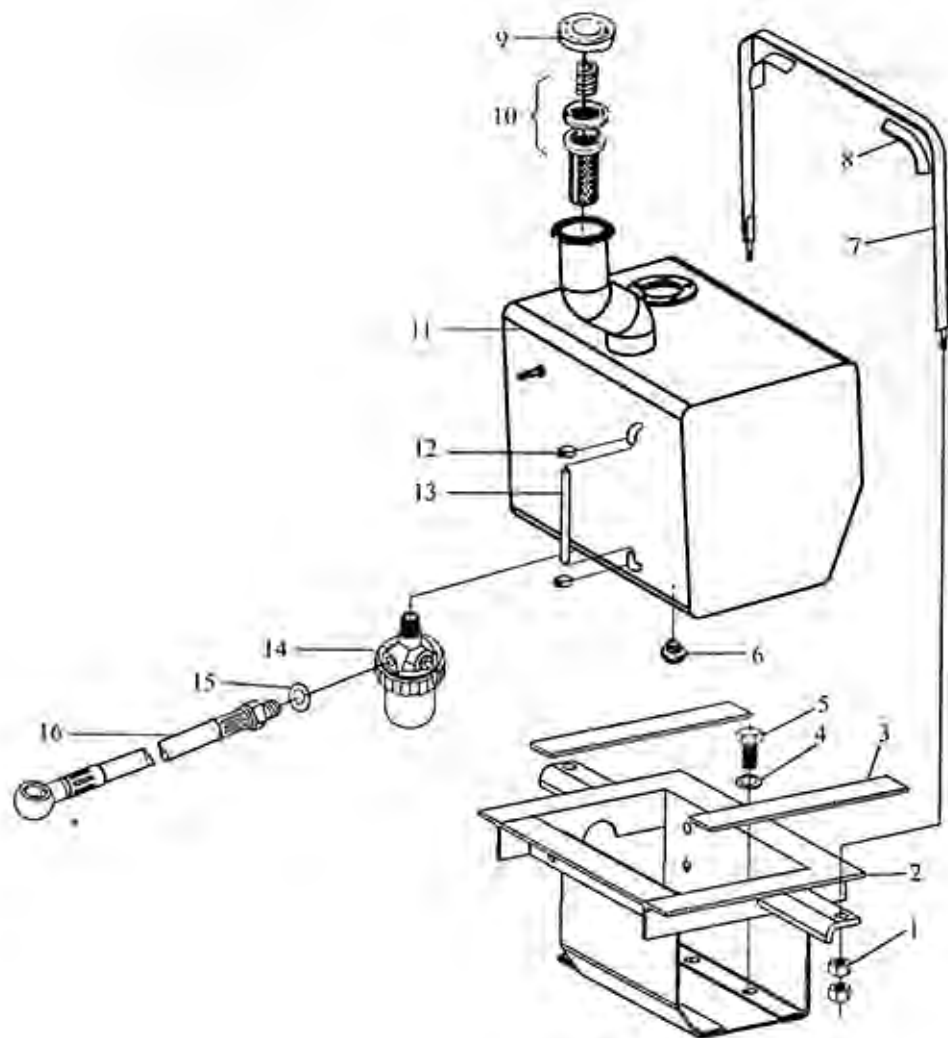
Electrical System Assy

序号 Ser.No.	代号 Part No.	名称	Name	数量Qty.
				164Y
1	GB/T6170	螺母M5	Nut M5	11
2	GB/T97.1	垫圈5	Washer 5	16
3	GB/T93	垫圈5	Washer 5	16
4	C201-007	前大灯	Headlight	2
5	C502-50F	喇叭	Horn	1
6	GB/T97.1	垫圈8	Washer 8	6
7	GB/T93	垫圈8	Washer 8	6
8	GB/T5783	螺栓M8×20	Bolt M8×20	2
9	GB/T6170	螺母M8	Nut M8	6
10	164Y.48.023	前大灯附线	Front harness	1
11	C402-019	制动灯开关	Switch for brake light	1
12	1204.48.011	主线束	Main harness	1
13	C302-005	油量传感器	Fuel sensor	1
14	GB/T5783	螺栓M5×10	Bolt M5×10	5
15	164Y.48.121	转速传感器隔套	Bracket weldment, speed sensor	1
16	C304-003	转速表感应塞	Speed sensor	1
17	C301-003	水温传感器	Water temperature sensor	1
18	C402-0031	预热启动开关	Preheat starting switch	1
19	164Y.48.022	柴油机线束总成	Diesel engine harness	1
20	C502-007	预热启动继电器	warm-up start relay	1
21	C303-002	油压传感器	Oil pressure sensor	1
22	C110-017	组合仪表	Combination instrument	1
23	164Y.48.101	电瓶压板	fixup support	1
24	164Y.48.011	电瓶拉杆焊合件	pull rod, battery	2
25	C603-45AH	蓄电池	Battery	1

电器系统总成

Electrical System Assy

序号 Ser.No.	代号 Part No.	名称	Name	数量Qty.
				164Y
26	164Y.48.013	蓄电池至起动机电缆	Cable, form battery to starter	1
27	164Y.48.012	蓄电池搭铁电缆	Earth cable, battery	1
28	GB/T5783	螺栓M8×30	Bolt M8×30	2
29	250.48.106	电瓶减震垫	Damping gasket, battery	2
30	164Y.48.020	左侧三联开关	Left 3-function switch	1
31	164Y.48.110	开关连接板	Switch bracket	2
32	164Y.48.019-1	右侧三联开关	Right 3-function switch	1
33	164Y.48.127	中立开关支架	Bracket	1
34	C402-007	中立开关	neutrality switch	1
35	C207-003	双色灯	Rear signal light	2
36	GB/T67	螺钉M5×30	Screw M5×30	5
37	C604-011	七孔插座	7 sockets plug	1
38	164Y.48.016	左护板线束	Left mud shield harness	1
39	164Y.48.017	右护板线束	Right mud shield harness	1
40	C203-002	工作灯(出口)	Rear work light	1
41	GB/T5783	螺栓M6×20	Bolt M6×20	3
42	C506-001	电子闪光器	Flasher	1
43	GB/T97.1	垫圈6	Washer 6	3
44	GB/T93	垫圈6	Washer 6	3
45	GB/T6170	螺母M6	Nut M6	3
46	164Y.48.024	保险丝支架焊合件	fuse box Bracket	1
47	C502-J2	喇叭继电器	Horn relay	1
48	C164Y.48.114	继电器支架	relay Bracket	1
49	C702-BX-410	保险丝盒	fuse box	1

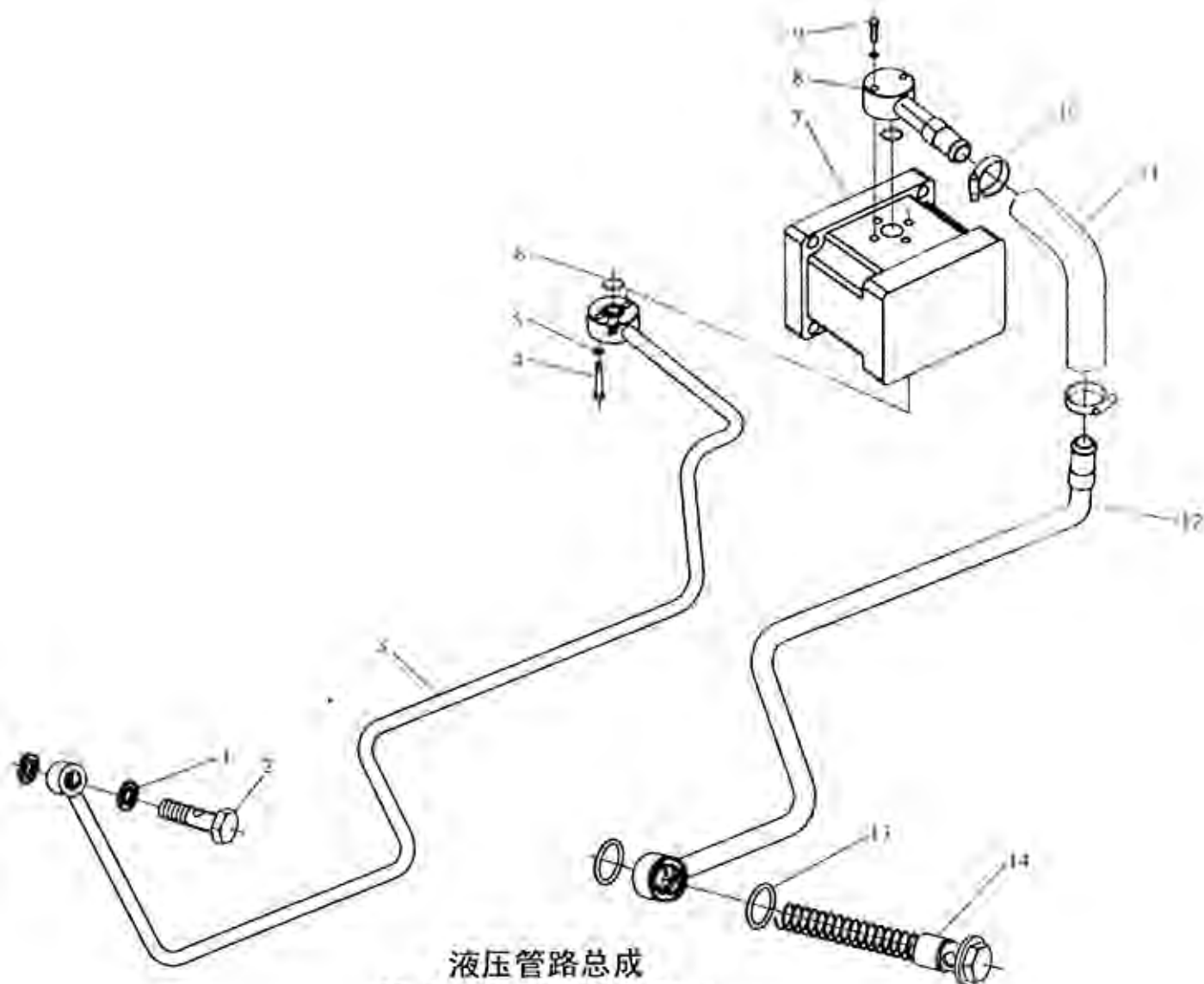


燃油箱总成
Fuel Tank

燃油箱总成

Fuel Tank

序号 Ser.No.	代号 Part No.	名称	Name	数量Qty.
				164Y
1	GB/T6170	螺母M10	Nut M10	4
2	164Y.50.011A	油箱支撑焊合件	Fule tank support	1
3	160.48.124	橡胶垫	Rubber pad	2
4	GB/T93	垫圈8	Spring lock washer 8	4
5	GB/T5783	螺栓M8x20	Bolt M8x20	4
6	160.50.107	放油塞	Drain plug	1
7	164Y.50.014A	钢带焊合件	Steel band	1
8	180.50.102	钢带胶垫	Rubber pad	2
9	160.50.014	油箱盖组件	Fule tank cap assembly	1
10	160.50.015	滤网组件	Screen,oil filler hole	1
11	164Y.50.012A-1	油箱体焊合件	Fule tank	1
12	ZBJ15001	喉箍φ10-16	Hoop φ10-16	2
13	164Y.50.135	油量显示管	Sensor pipe	1
14	250.50.020	沉淀杯总成	Sedimentary cup	1
15	D17-EAA-12	垫圈12	Washer 12	1
16	164Y.50.013A	输油管总成	Fule pipe assembly	1

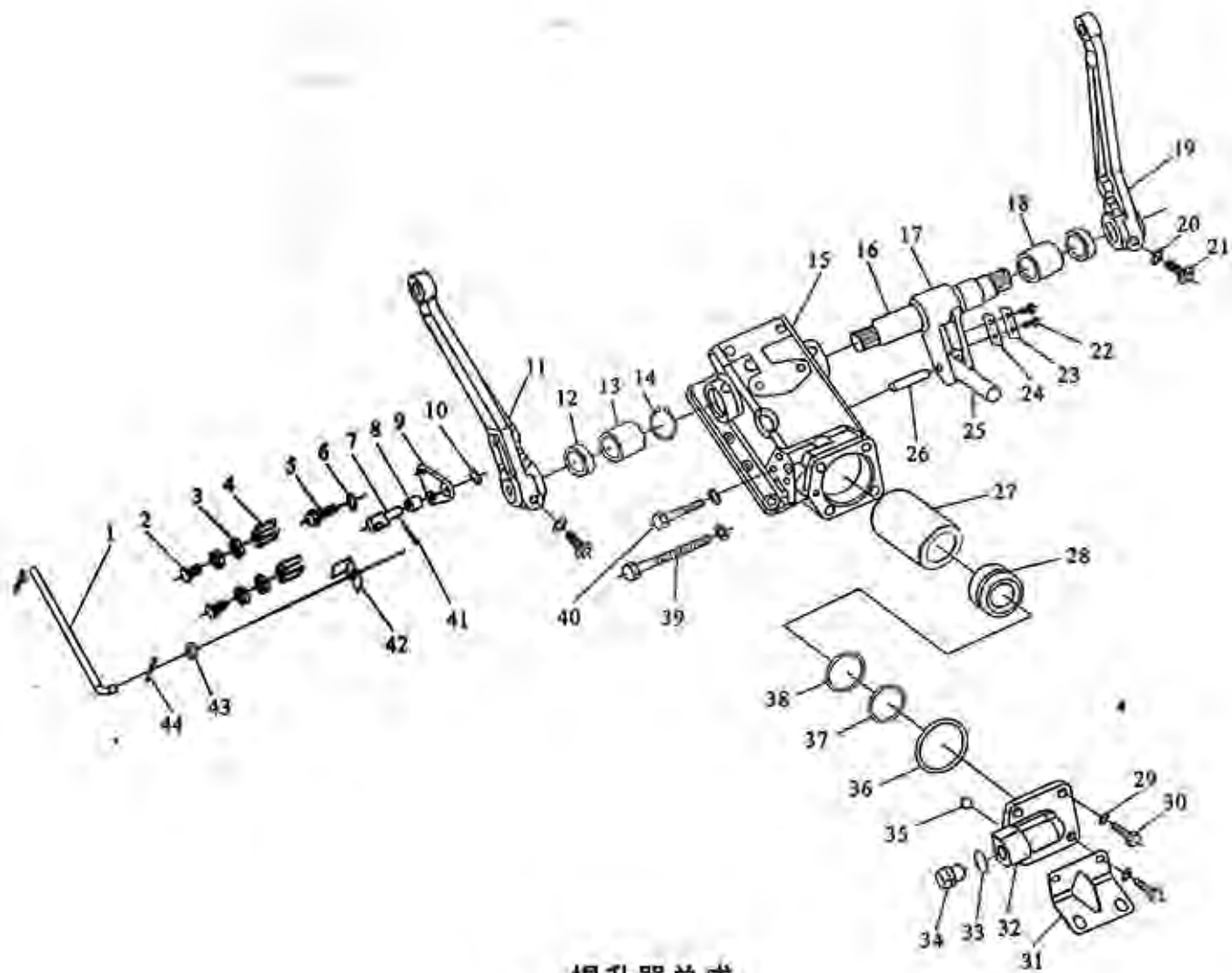


液压管路总成
Hydraulic Pipeline Assy

液压管路总成

Hydraulic Pipeline Assy

序号 Ser.No.	代号 Part No.	名称	Name	数量Qty.
				164Y
	164Y.54.001A	液压管路总成	Hydraulic Pipeline Assy	1
1	D17-EAA-16	垫圈16	Washer 16	2
2	164Y.54.011	出油管螺钉M16x1.5	Screw,outlet pipe	1
3	164Y.54.014A	出油管焊合件	Outlet pipe	1
4	GB/T5783	螺栓M6x35	Bolt M6x35	2
5	GB/T93	垫圈6	Spring lock washer 6	4
6	GB/T3452.1	O型圈14x2.65	O-ring 14x2.65	2
7	2PF10F02R	齿轮泵	Gear pump	1
8	164Y.54.015A	进油管焊合件II	Inlet pipe II	1
9	GB/T5783	螺栓M6x30	Bolt M6x30	2
10	ZBJ15001	喉箍25-38	Hoop 25-38	2
11	164Y.54.113	增强塑料管φ20	Reinforced plastic pipe φ20	1
12	164Y.54.013A	进油管焊合件I	Inlet pipe I	1
13	GB/T3452.1	O型圈28x2.65	O-ring 28x2.65	2
14	164Y.54.011	吸油管接头焊合件	Connector	1



提升器总成
Lifter Assembly

提升器总成

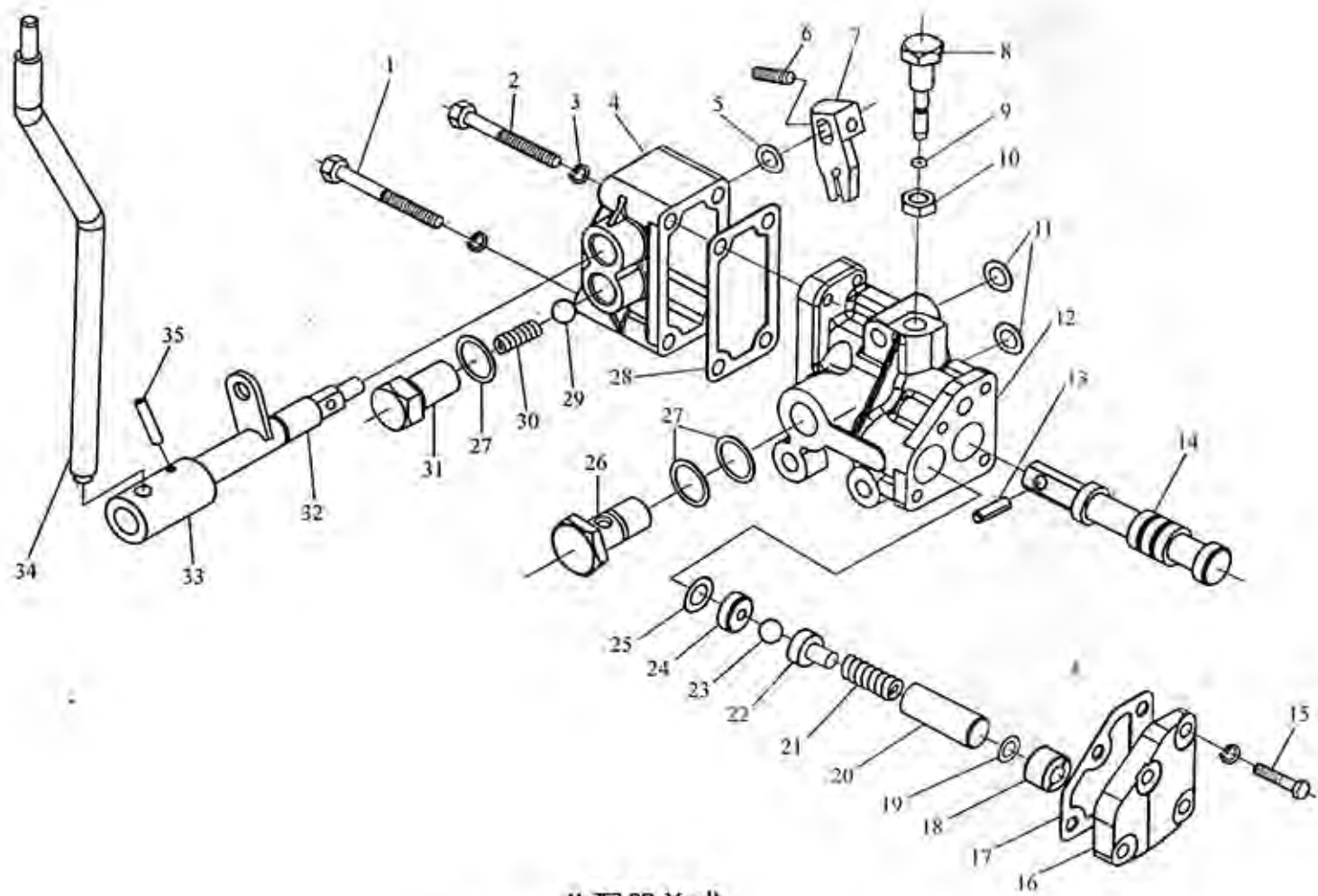
Lifter Assembly

序号 Ser.No.	代号 Part No.	名称	Name	数量Qty.
				164Y
1	YT16.55.111	反馈杆	Feedback pole	1
2	GB/T5781	螺栓M8x25	Bolt M8x25	2
3	GB/T6170	螺母M8	Nut M8	4
4	YT16.55.113	挡块	Locating lump	2
5	GB/T21	小六角头螺栓M8x16	Bolt M8x16	2
6	GB/T93	垫圈8	Spring lock washer 8	5
7	YT16.55.114	反馈轴	Feedback shaft	1
8	YT16.55.125	小套	Coat	1
9	YT16.55.110	反馈板	Feedback plate	1
10	GB/T95	垫圈10	Washer 10	1
11	YT16.55.109	右提升臂	Right lift arm	1
12	YT16.55.102	双金属套 I	Dual metal coat I	1
13	GB/T9877.1	骨架密封圈FB28x40	Oil seal FB28x40	2
14	GB/T894.1	挡圈30	Circlip 30	1
15	YT16.55.101	提升器壳体	Case	1
16	YT16.55.103	提升轴	Lift Shaft	1
17	YT16.55.118	内提升臂	Inlet arm	1
18	YT16.55.104	双金属套 II	Dual metal coat II	1
19	YT16.55.105	左提升臂	Left lift arm	1
20	GB/T93	垫圈10	spring lock washer 10	2
21	GB/T5783	螺栓M10x45	Bolt M10x45	2
22	GB/T5781	螺栓M6x10	Bolt M6x10	2
23	YT16.55.124	锁片	Locking plate	1

提升器总成

Lifter Assembly

序号 Ser.No.	代号 Part No.	名称	Name	数量Qty.
				164Y
24	YT16.55.120	挡板	Stop plate	1
25	YT16.55.117	活塞顶杆	Piston rod	1
26	YT16.55.119	销轴	Pin roll	1
27	YT16.55.108	缸筒	Cylinder	1
28	YT16.55.122	活塞	Piston	1
29	GB/T93	垫圈12	Washer 12	4
30	GB/T5783	螺栓M12x40	Bolt M12x40	4
31	YT16.55.123	支撑板	Shoe plate	1
32	YT16.55.121	缸头	Cylinder cap	1
33	YT16.55.116	密封垫圈	Packing washer	1
34	YT16.55.115	堵塞	Plug	1
35	GB/T3452.1	O型密封圈8x18	O-ring 8x18	1
36	GB/T3452.1	O型密封圈69x3.55	O-ring 69x3.55	1
37	GB/T3452.1	O型密封圈53x3.55	O-ring 53x3.55	1
38	GB/T3452.1	O型密封圈50x5.3	O-ring 50x5.3	1
39	GB/T21	小六角头螺栓M8x75	Bolt M8x75	2
40	GB/T21	小六角头螺栓M8x45	Bolt M8x45	1
41	GB/T91	开口销3.2x2.6	Split pin 3.2x2.6	1
42	YT16.55.112	挡板	Stop plate	1
43	GB/T95	垫圈8	Washer 8	3
44	GB/T91	开口销2x8	Split pin 2x8	2



分配器总成
Distributor Assembly

分配器总成

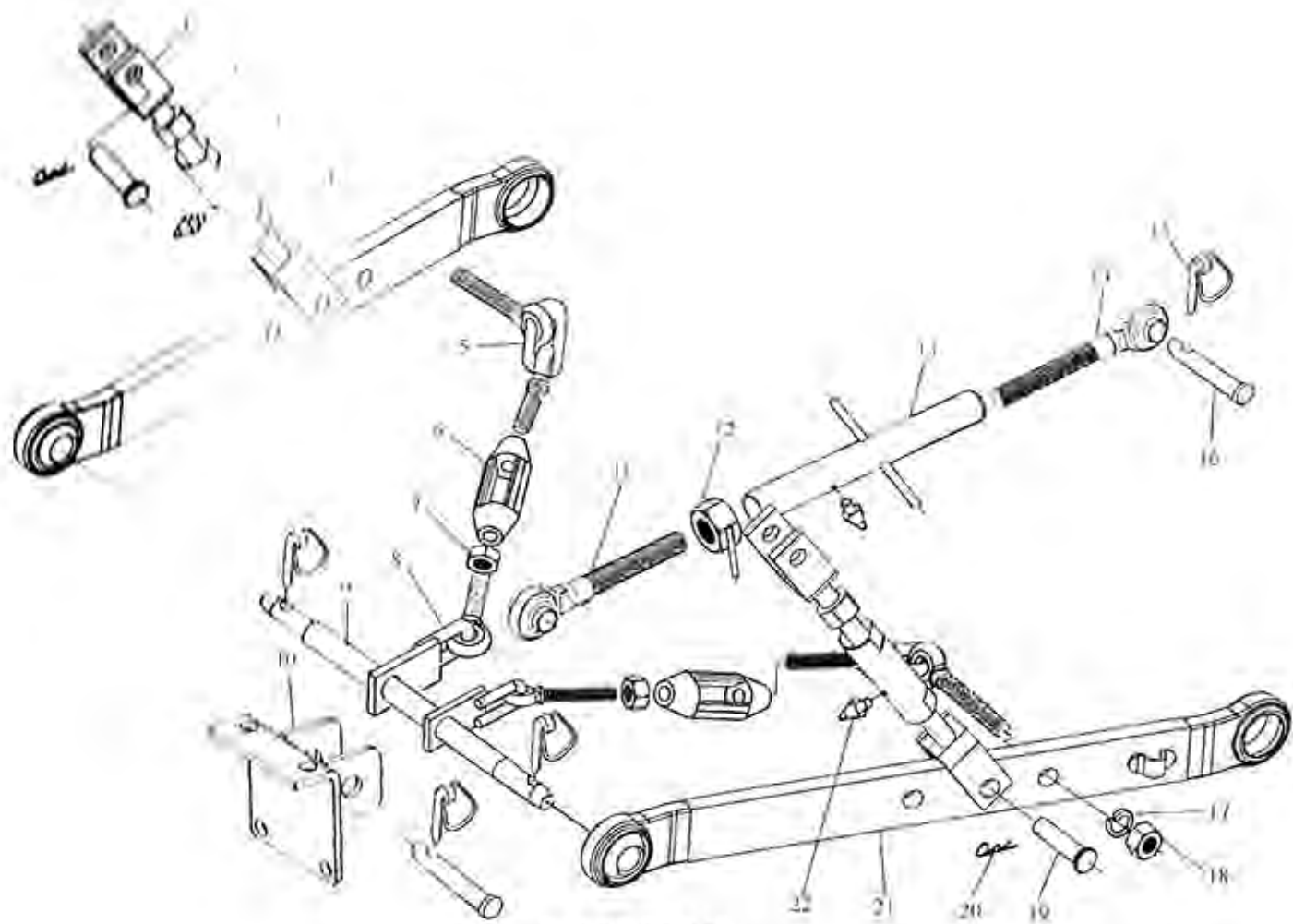
Distributor Assembly

序号 Ser.No.	代号 Part No.	名称	Name	数量Qty.
				164Y
1	GB/T5782	螺栓M6x65	Bolt M6x65	2
2	GB/T5782	螺栓M6x50	Bolt M6x50	2
3	GB/T93	垫圈6	Spring lock washer 6	8
4	YT16.57.101	拨叉盒	Shift box	1
5	GB/3452.1	O型密封圈10.6x1.8	O-ring	1
6	GB/T65	螺钉M6x20	Screw M6x16	1
7	YT16.57.105	拨叉	York	1
8	YT16.57.115	调节阀	Adjusting valve	1
9	GB/T3452.1	O型密封圈3.15x1.8	O-ring 3.15x1.8	1
10	GB/T6172	螺母M10	Nut M10	1
11	GB/T1235	O型密封圈16x2.4	O-ring 16x2.4	2
12	YT16.57.116	分配器壳体	Distributor case	1
13	GB/T897	销6x20	Pin 6x20	1
14	YT16.57.108	主阀	Main control valve	1
15	GB/T5781	螺栓M6x20	Bolt M6x20	4
16	YT16.57.104	前盖	Front cover	1
17	YT16.57.103	前盖纸垫	Gasket	1
18	YT16.57.109	调压螺钉	Screw	1
19	YT16.57.110	调整垫片	Adjusting washer	1
20	YT16.57.121	安全阀套管	Bush	1
21	YT16.57.111	安全阀弹簧	Spring	1
22	YT16.57.112	弹簧座	Spring seat	1
23	GB/T308	钢球11/32"	Ball 11/32"	1

分配器总成

Distributor Assembly

序号 Ser.No.	代号 Part No.	名称	Name	数量Qty.
				164Y
24	YT16.57.113	安全阀座	Safety valve support	1
25	GB/T3452.1	O型密封圈11.2x2.65	O-ring 11.2x2.65	1
26	YT16.57.114	空心螺栓	Hollow bolt	1
27	YT16.57.102	拨叉盒纸垫	Gasket	3
28	JB/T1002	密封垫圈	Seal washer	1
29	GB/T308	钢球3/8"	Ball 3/8"	1
30	YT16.57.107	定位弹簧	Spring	1
31	YT16.57.106	接头螺栓	Swing bolt	1
32	YT16.57.117	拨叉轴	shift rail	1
33	YT16.57.120A	手柄套	Handle cover	1
34	YT16.57.119-2	手柄杆	Handle	1
35	GB/T879	销5x24	Pin 5x24	1



悬挂机构总成
Suspension Mechanism

悬挂机构总成

Suspension Mechanism

序号 Ser.No.	代号 Part No.	名称	Name	数量Qty.
				164Y
1	164Y.56.026	提升杆上调节杆焊合件	Adjusting upper link	2
2	GB/T6171	螺母M18x1.5	Nut M18x1.5	2
3	164Y.56.140	提升杆螺管	Thread pipe	2
4	164Y.56.016	提升杆下调节杆焊合件	Adjusting link	2
5	160.56.033	后调节链环焊合件	Rear adjusting link	2
6	160.56.133	调节套	Adjusting sleeve	2
7	GB/T6170	螺母M14	Nut M14	2
8	160.56.135	限位链前调节螺栓	Eek chain front adjusting bolt	2
9	164Y.56.102	下拉杆固定轴	Shaft	1
10	164Y.56.031-1	上拉杆支承板焊合件	Support	1
11	160.56.017-A	上拉杆前调节杆压合件	Front adjusting rod	1
12	160.56.028	锁紧螺母焊合件	Locking nut	1
13	184.56.018-1	上拉杆调节螺杆焊合件	Thread pipe	1
14	160.56.019-A	上拉杆后调节杆压合件	Rear adjusting rod	1
15	160.56.014	锁销总成	Stop pin	4
16	160.56.118-1	上拉杆后连接销	Pin	2
17	GB/T93	垫圈16	Spring lock washer 16	2
18	GB/T6170	螺母M16	Nut M16	2
19	160.56.101	提升杆连接销	Connecting pin	4
20	184.56.102	弹簧锁销 I	Stop pin	4
21	164Y.56.013	下拉杆总成	Lower link	2
22	GB/T7940.1	油杯M10x1	Oil cup M10x1	3