

China machine industry

Mini Round Baler

Spare Parts

Model

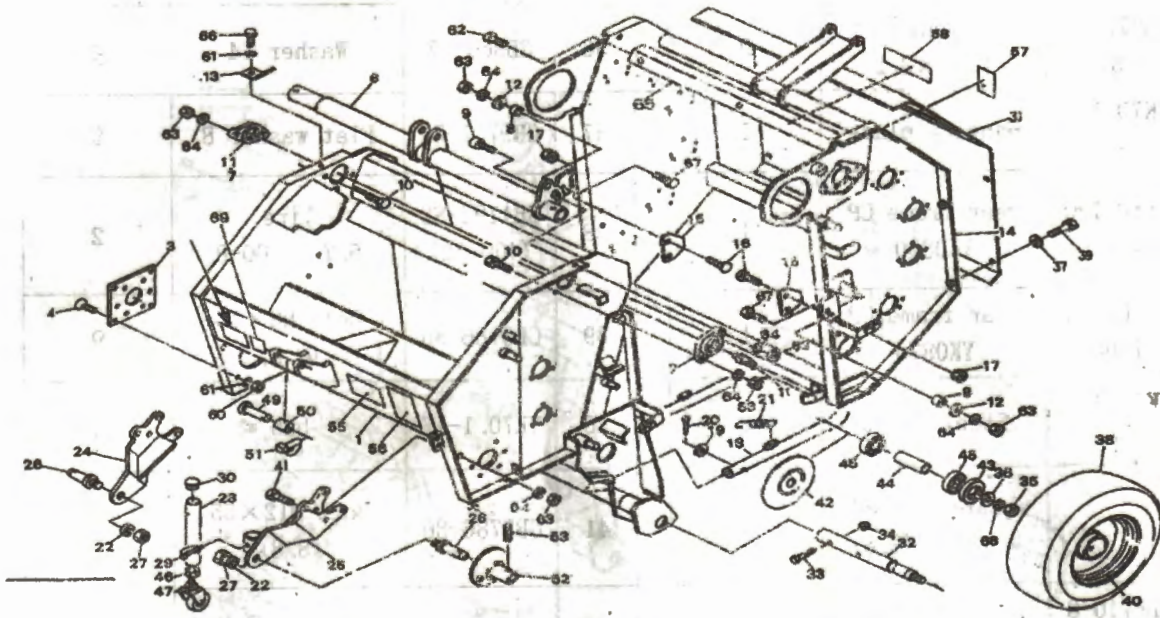
YK0850

YK0870

(tell us the page and serial number of the spare part while you buy)

YK0850. YK0870 round baler

frame assy

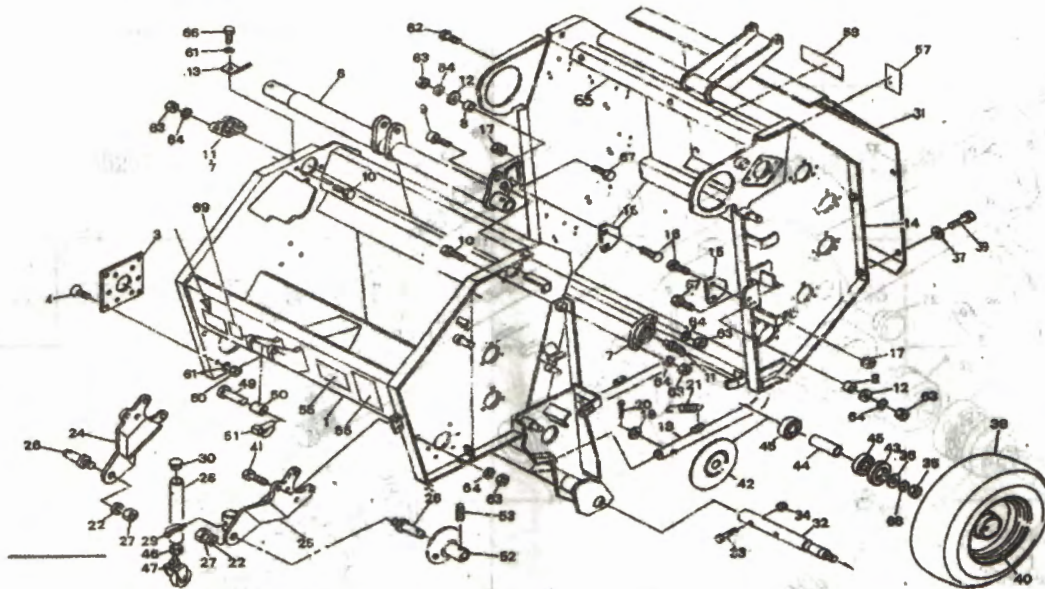


No.	Drawing No.	name	quantity	No.	Drawing No.	name	quantity
1	YK50.1-0 1-00	YK0850 front frame CP	1	26	YK70.1-13	Connection pin	2
2	YK70.1-0 1-00	YK0870 front frame CP	1	27	GB6710-86	Hexagon nut M22XI.5(8.8)	2
3	YK70.1-0 2	Connecting plate	1	28	YK70.1-14 -00	Supporting rod CP; 450A	1
4	GB5786-8 6	Bolt M10×25 (8.8)	4	29	HB4187-19 89	bayonet pin 9	1
5	YK50.1-0 3-00	pivot pipe CP YK0850	1	30	YK70.1-21	cover	1
6	YK70.1-0 3-00	pivot pipe CP YK0870	1	31	YK50.1-15	YK0850 Rear cover	1
7	YK70.1-0 4	top cover	2		YK70.1-15	YK0870 Rear cover	1
8	YK70.1-0 5	sleeve	2	32	YK70.1-16	wheel axis	2
9	GB70.1-2 000T	HEXAGON SOCKET HEAD SCREW M12*30(10.9)	1	33	GB5786-86	Bolt M12×70 (8.8)	2

10	GB5786-8 6	Bolt M12×30 (8.8)	3		34	GB6710-86	Nylon locking nut M12	2
11	GB1152-7 9	grease nipple ONB6 M6×1	2		35	GB6710-86	HEXagon NUT M14	2
12	GB97.1-8 5	washer 12.5×3.2	2		36	GB860-87	Washer 14	4
13	YK70.1-0 6	Hanging plate	1		37	GB97.1-85	Flat washer 8	9
14	YK50.1-0 7-00	rear frame CP YK0850	1		38	GB1192-82 (400-12)	Tire 5.70/5.00-8	2
	YK70.1-0 7-00	rear frame CP YK0870	1		39	GB5786-86	Bolt M8×16 (8.8)	9
15	YK70.1-0 8	Steel plate	2		40	YK70.1-17	hub	2
16		square neck bolt M8×15 (8.8)	4		41	GB5786-86	Bolt M12×55 (8.8)	2
17	GB6710-8 6	Nut M8 (8.8)	4		42		cover	2
18	YK70.1-0 9	ejector rod CP	1		43		cover	2
19	GB97.1-8 5	Washer 10	1		44		bush	2
20	GB91-87	Split pin 3.2×16	1		45	GB297-84	Bearing 6205-2RS	4
21	YK70.1-1 0	extension spring A	2		46	GB6710-86	HEX NUT M20 (8.8)	2
22	GB93-87	spring washer 22	2		47		caster; 100	1
24	YK70.1-1 1-00	Connecting arm CP: R	1		49	YK70.1-18	Topper Connecting pin	1
25	YK70.1-1 2-00	Connecting arm CP: L	1					1

YK0850 YK0870 ROUND BALER

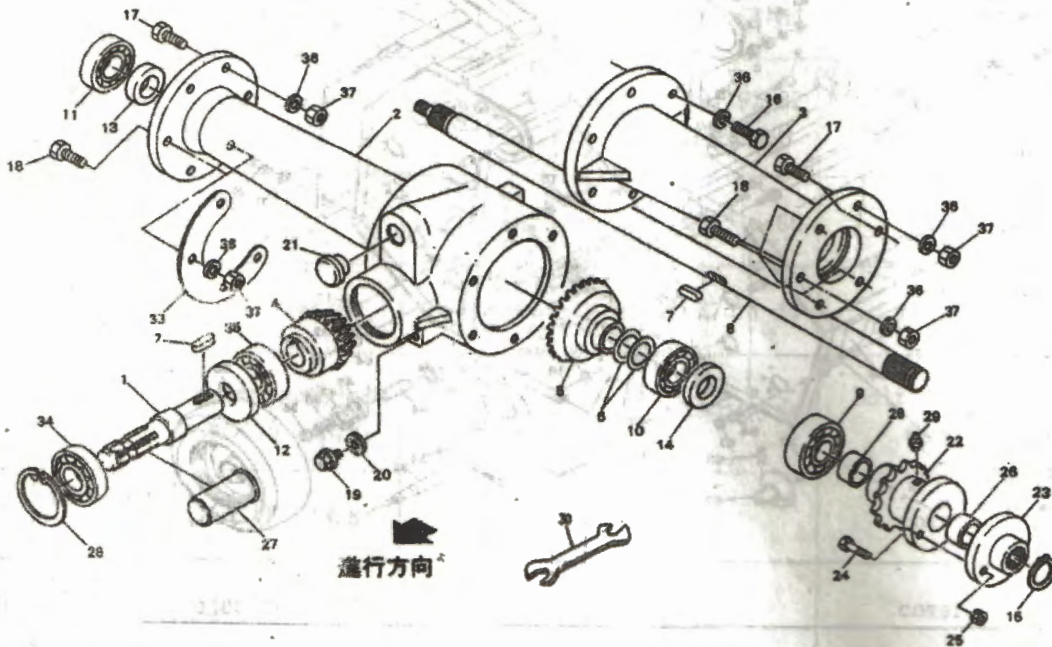
frame assy



No	Drawing No.	name	quantity	No	Drawing No.	name	quantity
51	DIN11024-1973	battle pin; 9	1	65	YK70.1-19-00	Bracket CP	1
55	YK70.1-21	warning sticker	1	66	GB5786-86	Hexagon bolt M10×25 (8,8)	1
56	YK70.1-22	warning sticker	1	67	GB5786-86	Hexagon bolt M12×50 (8.8)	2
57	YK70.11-19	warning sticker	1	68	GB93-87	Spring Washer 14	2
58	YK70.1-23	Sticker: factory name	1	69	YK70.1-24	sticker: RPM	1
60	GB6710-86	hexagon nut M10 (8.8)	4		YK70.1-20-00	cover shell bracket: CP	6
61	GB93-87	spring washer 10	5		GB/T12-1988	square neck bolt : M8×20 (8.8)	10
62	GB5786-86	Bolt M8×25 (8.8)	2		GB6710-86	nut: M8 (8.8)	12
63	GB6710-86	hexagon nut M12	8		GB93-87	spring washer: 8	12
64	GB93-87	srping washer 12	8		GB1192-82(400-12)	Inner tire; 16×6.50-8	2

YK0850 YK0870 round baler

gearbox assy

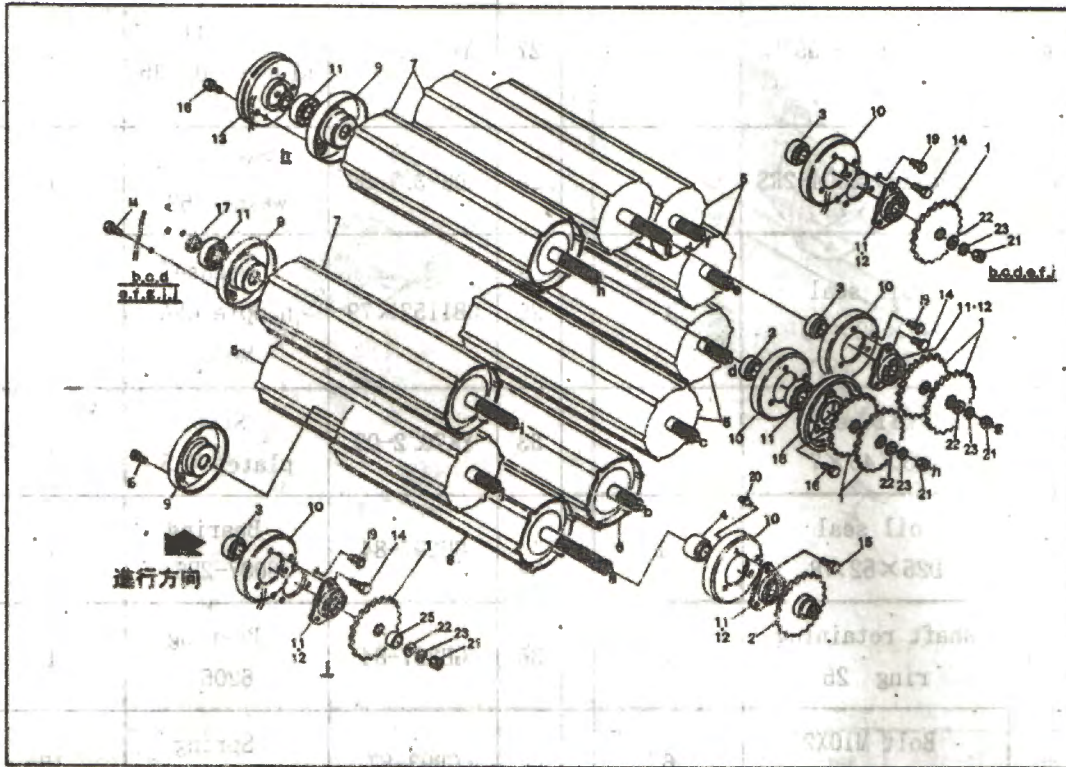


No.	Drawing No.	name	quantity	No.	Drawing No.	name	quantity
1	YK70.2-01	input shaft	1	18	GB5786-86	Bolt M10×50 (8.8)	8
2	YK70.2-02	gear box	1	19		Screw plug: M10	1
3	YK70.2-03	gear case	1	20		Screw Plug washer: 10	1
4	YK70.2-04	bevel gear 12T	1	21	YK70.2-10	plug	1
5	YK70.2-05	bevel gear 22T	1	22	YK70.2-07	Sprocket CP;16T	1
6	YK70.2-10	shim	2	23	YK70.2-08	flange	1

YK0850 round baler

roller assy

滾筒 AS



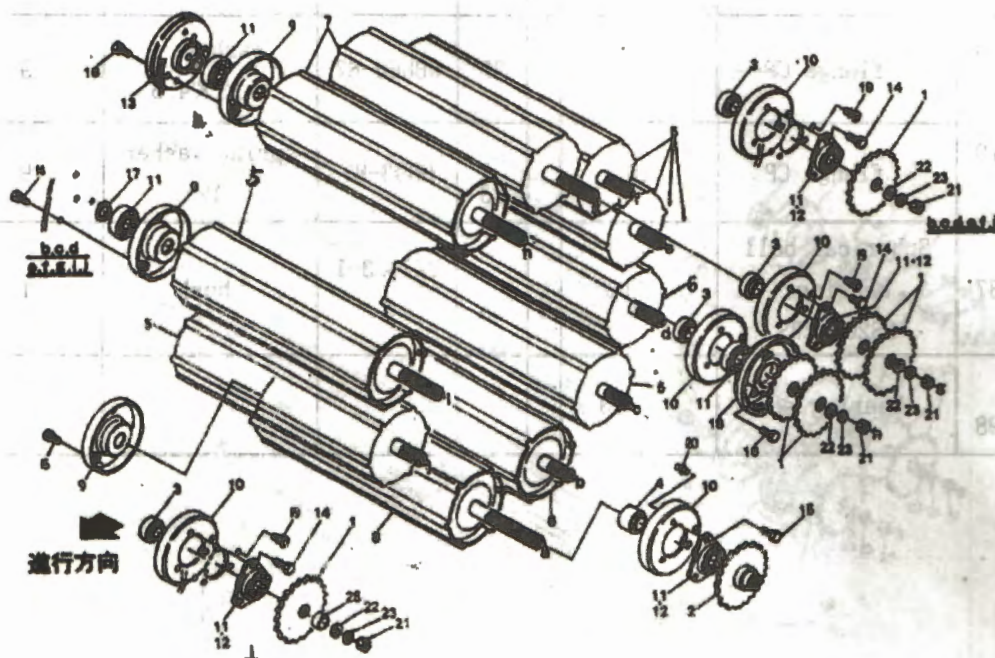
No.	Drawing No.	name	quantity	No.	Drawing No.	name	quantity
1	YK70.3-01	sprocket, 22T	11	13	YK70.3-1 1	cover plate	1
		shim; 25.5X0.6	10	14	GB5786-8 6	Bolt M8×20 (8.8)	48
2	YK70.3-02	sprocket; 22T	1	15	GB5786-8 6	boltM8×25 (8.8)	3
3	YK70.3-03	bush; A	9	16	GB5786-8 6	boltM8×30 (8.8)	9
4	YK70.3-04	bush; B	1	17	GB894.1- 86	shaft retaining ring 25	10
5	YK70.3-05 -00	Roller CP;1	5	18	YK70.3-1 2	cover plate	1

6	YK70.3-06 -00	Roller CP;2	1	19		rivet: 6×6	18
7	YK70.3-07 -00	Roller CP;3	3	20		rivet; 6×10 rivet	2
8	YK70.3-08 -00	Roller CP:4	1	21	GB6710-8 6	Nut M12	9
9	YK70.3-09 -00	flange CP	10	22	GB860-87	washer: Φ13×4.5	9
10	YK70.3-10 -00	flange CP	10	23	GB93-87	spring washer 12	9
11	GB7810-87	Spherical ball bearings CS205-2RS	20	25	YK70.3-1 3	bush	1
12	GB/T 7813-1998	bearing seat	18				

quantity	name	unit	material	specification	quantity
18	Roller CP;2				
3	Roller CP;3				
1	Roller CP:4				
10	flange CP				
10	flange CP				
20	Spherical ball bearings CS205-2RS				
18	bearing seat				

YK0870 mini round baler

roller assy



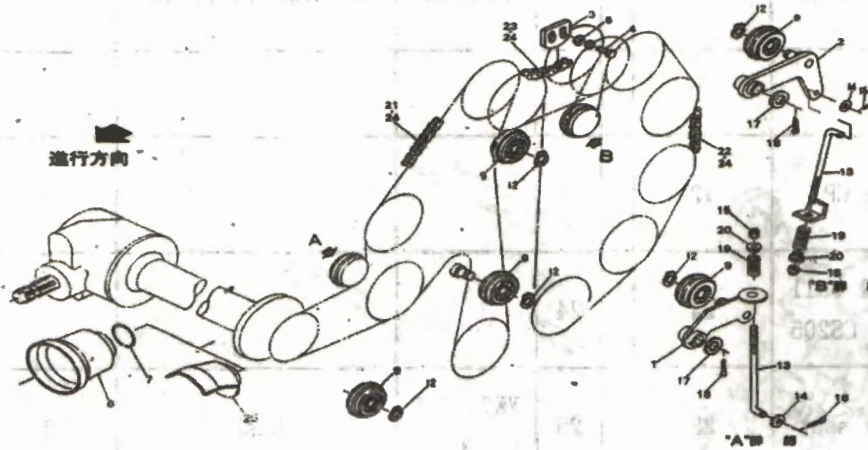
No.	Drawing No.	name	quantity	No.	Drawing No.	name	quantity
1	YK70.3-01	sprocket; 22T	13	14	GB5786-8 6	Bolt M8×20 (8.8)	57
2	YK70.3-02	sprocket; 22T	1	15	GB5786-8 6	Bolt M8×25 (8.8)	3
3	YK70.3-03	bush; A	11	16	GB5786-8 6	Bolt M8×30 (8.8)	12
4	YK70.3-04	bush; B	1	17	GB894.1	shaft retaining ring 25	12
5	YK70.3-05 -00	Roller CP;1	7	18	YK70.3-1 2	cover plate	1
6	YK70.3-06 -00	Roller CP;2	2	19	GB6710-8 6	Nut M12	11

7	YK70.3-07 -00	Roller CP; 3	2	20	GB97.1-8 5	flat washer 13×4.5	11
8	YK70.0-08 -00	Roller CP;4	1	21	GB97-87	spring washer 12	11
9	YK70.3-09 -00	Flange CP	12	22			
10	YK70.3-10 -00	Flange CP	12	23			
11	GB7810-87	Spherical ball bearings CS205	24	24			
12	GB/T 7813-1998	bearing seat	22	25	YK70.3-1 3	bush	1
13	YK70.3-11	cover plate	1				

1							
2							
3							
4							
5							
6							
7							
8							
9							
10							
11							
12							
13							
14							
15							
16							
17							
18							
19							
20							
21							
22							
23							
24							
25							
26							
27							
28							
29							
30							

YK0850.YK0870 圆捆机

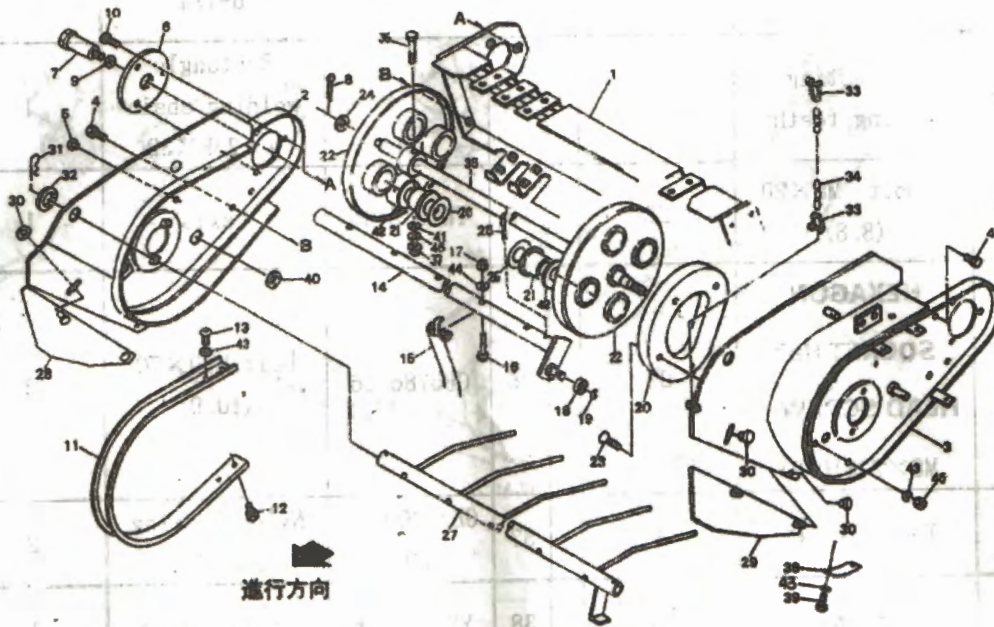
滚筒链轮压紧 chain transmission assy



No.	Drawing No.	name	quantity	No.	Drawing No.	name	quantity
1	YK70.4-01-00	pulley bracket CP;A	1	15	GB	nylon locking nut M10	2
2	YK70.4-02-00	pulley bracketCP;B	1	16	GB91-87	split pin 3.2×16	2
3	YK70.4-03	tension plate	1	17	GB860-87	Washer 21×1.5	2
4	GB5786-86	Spring washer, bolt M8×25 (8.8)	2	18	GB91-87	split pin 3.2×32	2
5	GB860-87	Washer 8	2	19	YK70.4-06	spring	2
6		Shaft 650	1	20	YK70.4-07	spring seat	2
7		steel wire retaining ring: S	1	21	GB/T1243-2006	Chain 50SH-144-1 YK0850	1
9	YK70.4-04	Pulley CP	6		GB/T1243-2006	Chain 50SH-168-1 YK0870	1
12		shaft retaining ring 17	5	22	GB/T1243-2006	Chain 50SH-126-1 YK0850	1
13	YK50.4-05	pull rod YK0850	2		GB/T1243-2006	Chain 50SH-146-1 YK0870	1
	YK70.4-05	pull rod YK0870	2	23	GB/T1243-2006	Chain 10A-42×1	1
14	GB97.1-85	flat washer 10	2	24	GB/T1243-2006	chain joint 50SH	3

YK0850.YK0870 Round baler

picking-up assy

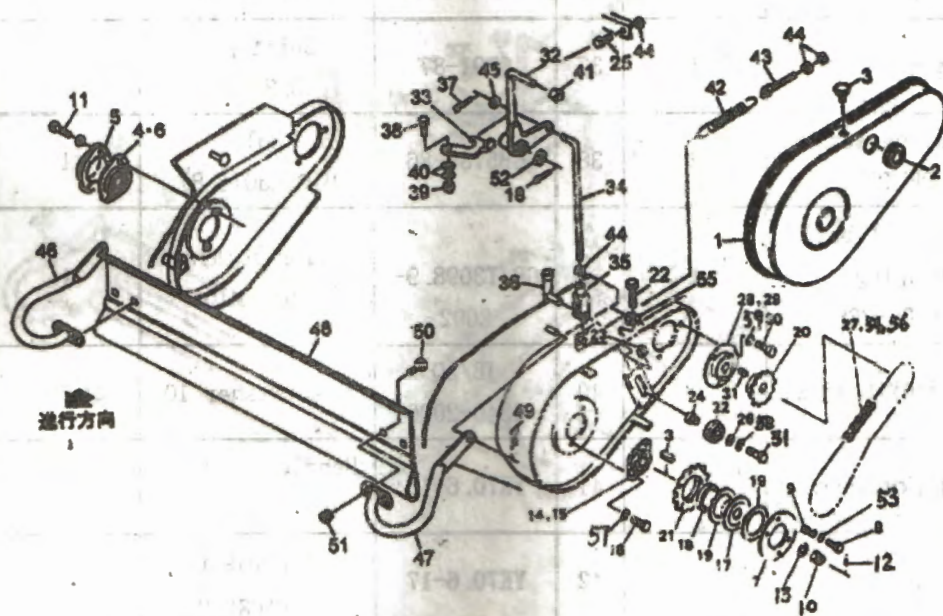


No	Drawing No.	name	quantity	No	Drawing No.	name	quantity
1	YK70.5-01 -00	picking-up Assy bracket CP	1	24	YK70.5-12	shim	2
2	YK70.5-02 -00	picking-up Assy bracket CP;R	1	25	GB91-87	split pin 5×56	8
3	YK70.5-03 -00	picking-up Assy bracket CP;L	1	26	GB860-87	Washer 35×1.2	12
4	GB5786-86	bolt M8×20 (8.8)	5	27	YK70.5-13	Spring teeth assy CP	1
5	YK70.5-18	cover: 9	5	28		Side cover shield (Optional)CP;R	1
6	YK70.5-04	Steel plate	1	29		Side cover shield (optional)CP;L	1
7	YK70.5-05	axis	1	30		Plum nut(optional) M8	4

8	GB91-87	Split pin 5×36	1	31		B Pin 19×3	2
9	GB93-87	Spring washer 14	1	32	GB860-87	washer	3
10	GB5786-86	Bolt M8×25 (8.8)	3	33		D Shackle; 6-1/4	2
11	YK70.5-06	Protecting spring teeth	11	34		Rectangle welding chain 4×23P×32	1
12	GB5786-86	bolt M8×20 (8.8)	22	35	YK70.5-15	axis	1
13	RBT08020	HEXAGON SOCKET flat HEAD SCREW: M8×20(10.9)	22	36	GB5786-86	Bolt M10×70 (10.9)	2
14	YK70.5-07 -00	Teeth rod CP	4	37	GB/T3098.9 -2002	Nylon locking nut M10	2
15	YK70.5-08	spring	24	38	YK70.5-16	steel plate	1
16	GB5786-86	bolt M8×55 (8.8)	24	39	GB5786-86	Bolt M8×12 (8.8)	2
17	GB/T3098. 9-2002	Nylon locking nut M8	24	40	YK70.5-17	cover	1
18	GB7810-87	Bearing 6201-2RS(35×12 ×10)	4	41	GB860-87	Washer 10	2
19	GB894.1-8 6	Shaft retaining ring 12	4	42	GB860-87	Washer 43×3.5	8
20	YK70.5-09	Leading track	1	43	GB93-87	Spring washer 8	28
21	YK70.5-10	nylon sleeve	8	44	GB860-87	Washer 8	24
22	YK70.5-11 -00	Racket CP	2	45	GB6710-86	Nut M8 (8.8)	4
23	GB/T 70.3-2008	HEX SOCKET Countersunk head screw M8×20 (10.9)	4	46	GB93-87	spring washer 10	2

YK0850. YK0870 Round baler

Picking-up sprocket Assy

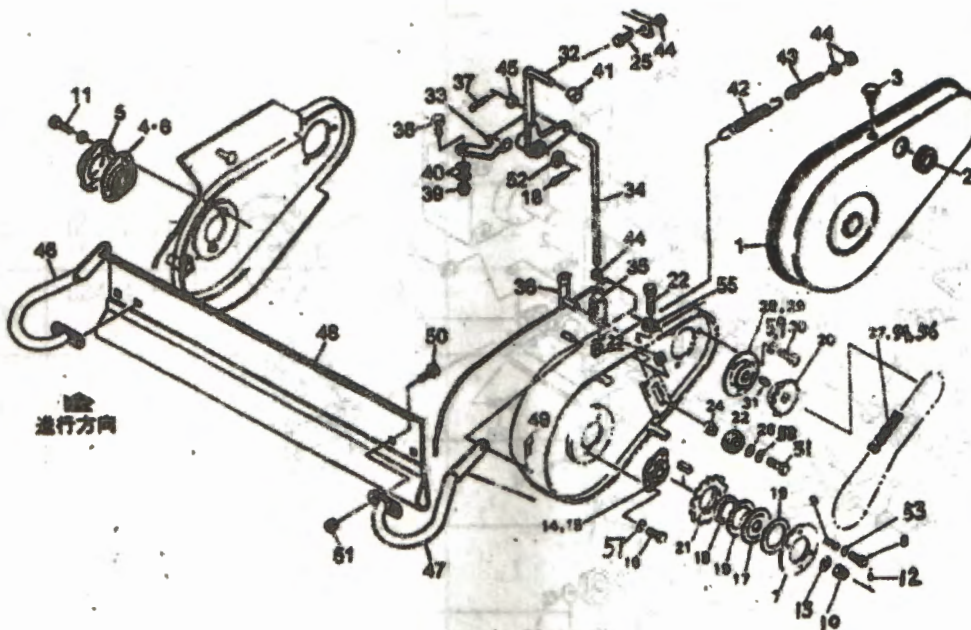


No	Drawing No.	name	quantity	No	Drawing No.	name	quantity
1	YK70.6-01 -00	Sprocket cover CP	1	26	GB860-87	washer; 12	1
2	YK70.6-02	Dust cover	1	27	GB/T1243-20 06	chain10A-59×1	1
3		Plum-shaped bolt M8×14	3	28	GB/T 7813-1998	Bearing seat PF206	2
4	GB7810-87	bearing CS204-2RS	1	29	GB7810-87	Bearing CS206-2RS	1
5	YK70.6-18	Bearing cover	1	30	GB5786-86	Bolt M10×20 (8.8)	3
6		Bearing seat PFL204	1	31	GB5786-86	Bolt M12×45 (8.8)	1
7	YK70.6-03	Tension disc	1	32	YK70.6-12	Up-down Rod CP	1
8	GB5786-86	Bolt M10×65 (8.8)	4	33	YK70.6-13	Brake plate	1
9	YK70.6-04	彈簧 spring	4	34	YK50.6-14	Pull rod RXYK0850	1

10	GB97.1-85	slotted nut M20×1.5 GB9457	1		YK70.6-14	Pull rod RXYKB0870	1
11	GB5786-86	Bolt M8×25 (8.8)	2	35	YK70.6-15	fork; 10×40	1
12	GB91-87	Split pin 4×25	1	36	GB882-86	pin; 10×40	1
13	GB860-87	washer; 20	1	37	GB91-87	Split pin 3.2×16	1
14	GB/T 7813-1998	Bearing seat PFL205	2	38	GB5786-86	Bolt M10×30(8.8)	1
15	GB7810-87	Spherical ball bearings CS205-2RS	1	39	GB/T3098.9- 2002	Nylon locking nut M10	1
16	GB5786-86	Bolt M10×20 (8.8)	2	40	JB/ZQ 4340-2006	Disc washer 10	2
17	YK70.6-05	Friction disc	1	41	YK70.6-10	Handle sleeve; 12	1
18	YK70.6-06	bush	1	42	YK70.6-17	Extension spring; H	2
19	YK70.6-07	Friction washer	2	43		Adjustable screw ; M10	2
20	YK70.6-08	sprocket; RS50×18T	1	44	GB6710-86	Nut M10 (8.8)	6
21	YK70.6-09	sprocket; RS50×32T	1	45	GB97.1-85	Flat washer 10	1
22	YK70.4-04	Pulley CP	1	46		Elbow bend (optional)CP;R	1
23	GB/T13680 -1992	Square nut	1	47		Elbow bend (optional)CP:L	1
24	YK70.6-11	bush	1	48		Shield (optional)	1
25	GB5786-86	Bolt M10×40 (8.8)	1	49		9 Pin(optional) 8×1.6	2

YK0850. YK0870 Round baler

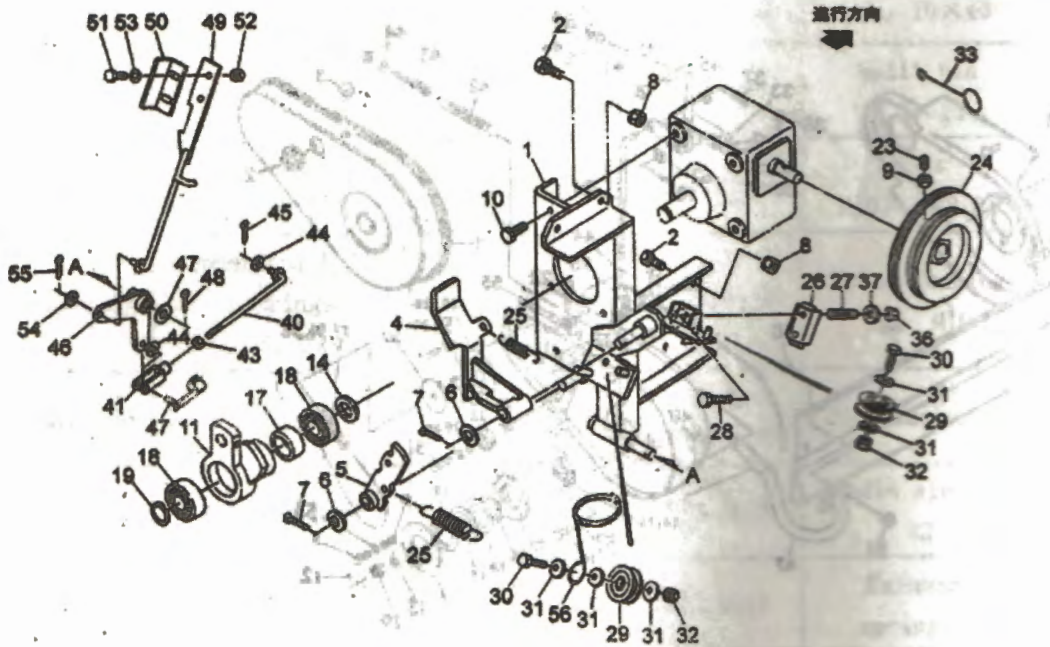
Picking-up sprocket Assy



No.	Drawing No.	name	quantity	No.	Drawing No.	name	quantity
50		Square neck bolt M8×15 (optional)	4	59	GB93-87	Spring washer 10	3
51	GB6710-86	Nut (optional) M8	4				
52	GB860-87	Washer 21×1.5	1		GB6710-86	nut: M12	1
53	GB860-87	washer ; 10	4		GB860-87	washer: 25×35×1.2	1
54		Joint 10A	1			shim: 25.5×0.6	1
56		Coupling part 10A	1		GB91-87	Split pin: 3.2×3.2	1
57	GB93-87	Spring washer 10	2		GB860-87	washer ; 13×4.5	1
58	GB93-87	Spring washer 12	2				

YK0850. YK0870 Round baler

Twine binding bracket Assy

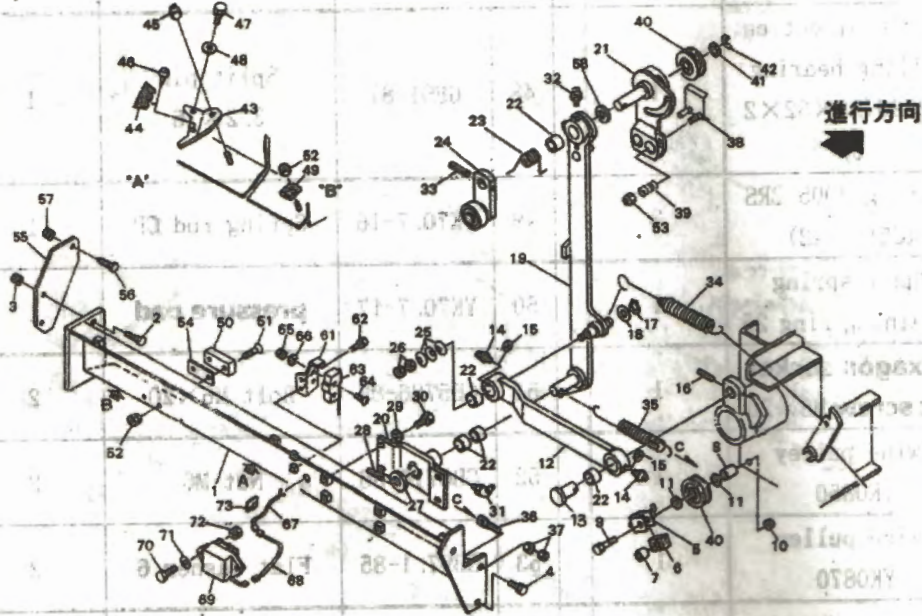


No.	Drawing No.	name	quantity	No.	Drawing No.	name	quantity
1	YK70. 7-0 1-00	Twine clip plate CP;1	1	33	YK70. 7-11	Twine hook	1
2	GB5786-8 6	Bolt M8×20 (8.8)	6	36	GB/T3098. 9-2002	Nylon locking nut M6	2
4	YK70. 7-0 2-00	Pressure plate CP	1	37	GB97. 1-85	Flat washer 6	2
5	YK70. 7-0 3	Tension plate CP	1	40	YK70. 7-12	Adjustable lever CP	1
6	GB97. 1-8 5	Washer 12	2	41	YK70. 7-13	Fork 8×32	1
7	GB91-87	Split pin 3.2×16	2	42	YK70. 7-14	Pin 8×30	1
8	GB6710-8 6		6	43	GB6710-86	nutM8	1
9	GB6710-8 6	Nut M8	1	44	GB97. 1-85	Washer 8	2
10	GB5786-8 6	Bolt M8×20	4	45	GB91-87	Split pin 3.2×16	1

11	YK70.7-0 4	cam	1	46	YK70.7-15	Fork rod CP	1
14	YK70.7-0 5	Retaining ring 25	1	47	GB97.1-85	Flat washer 12	1
17	GB/T290- 98	Single-direction Rolling bearing HK2520 (25×32×2 0)	1	48	GB91-87	Split pin 3.2×16	1
18	GB297-84	bearing 6005-2RS (25X47X12)	2	49	YK70.7-16	Spring rod CP	1
19	GB484.1- 86	Shaft spring retaining ring 25	1	50	YK70.7-17	pressure pad	1
23	GB/T 80-2000	Hexagon socket set screw M8×20	1	51	GB5786-86	Bolt M6×20	2
24	YK50.7-0 6	Twine pulley YK0850	1	52	GB6710-86	Nut M6	2
	YK70.7-0 6	Twine pulley YK0870	1	53	GB97.1-85	Flat washer 6	2
25	YK70.7-0 7	Pull spring	2	54	GB97.1-85	Flat washer 8	1
26	YK70.7-0 8	slot plate	1	55	GB91-87	Split pin 3.2×16	1
27	YK70.7-0 9	compression spring	2	56	YK70.7-18	Twine ring	1
28	GB5786-8 6	boltM6×50	2				
29	YK70.7-1 0	pulleyCP	2				
30	GB5786-8 6	boltM8×30 (8.8)	2				
31	GB97.1-8 5	Flat washer 8	5				
32	GB6710-8 6	nut M8	2				

YK0850. YK0870 Round baler

Twine binding support Assy

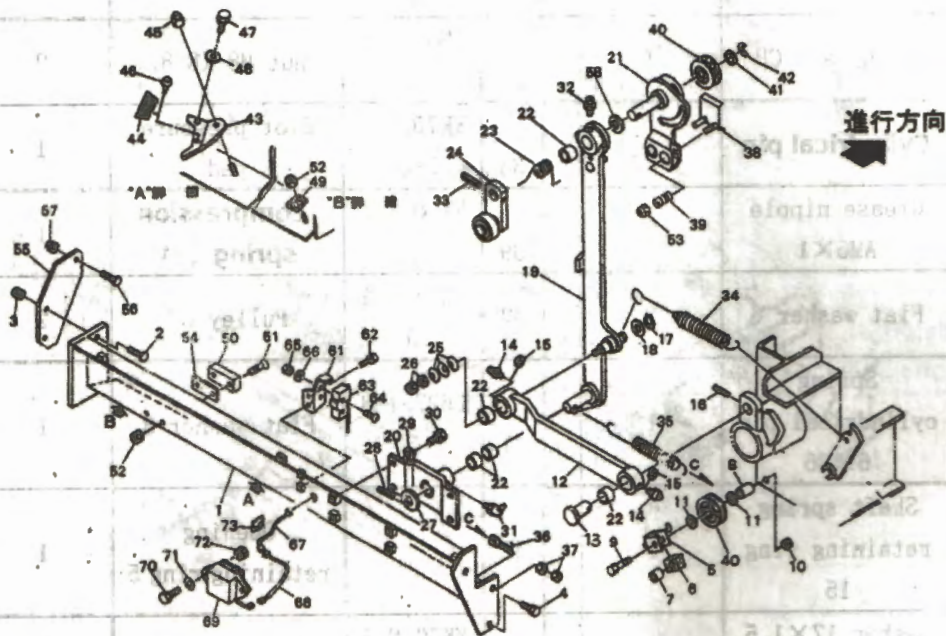


No.	Drawing No.	name	quantity	No.	Drawing No.	name	quantity
1	TK70.8-01-00	Support rod CP;2	1	26	GB6710-86	nut M8 (8.8)	2
2	GB5786-86	Bolt M8×20 (8.8)	2	27	GB97.1-85	Flat washer 17×1.5	1
3	GB6710-86	Nut M8	2	28	GB879-86	Spring cylindrical pin 5×32	1
4	GB5786-86	bolt M8×20 (8.8)	2	29	GB97.1-85	Flat washer 8	4
5	YK70.8-02-00	Rubber racket CP	1	30	GB5786-86	bolt M8×20 (8.8)	4
6	YK70.8-03	rubber washer	1	31	GB1152×79	grease nipple ONA6 M6×1	1
7	YK70.8-04	bush	1	32	GB1152×79	grease nipple ONA6 M6×1	1
8	YK70.8-05	sleeve	1	33	GB879-86	Spring cylindrical pin 6×36	1

9	GB5786-86	bolt M8×80 (8.8)	1	34	YK70.8-1 5	Extension spring; H	1
10	GB6710-86	nut M8 (8.8)	1	35	YK70.8-1 6	Extension spring; H	1
11	GB93-87	Spring washer 8	2	36	YK70.8-0 7	screw: M8	1
12	YK70.8-06- 00	Swing arm CP	1	37	GB6710-8 6	nut M8 (8.8)	2
13	GB119-86	Cylindrical pin	1	38	YK70.8-1 7-00	Slot pressure pad	1
14	GB1152×79	Grease nipple AM6×1	2	39	YK70.8-1 8	compression spring ; A	1
15	GB97.1-85	Flat washer 6	2	40	YK70.7-1 0	Pulley CP	2
16	GB879-86	Spring cylindrical pin 6×36	1	41	GB97.1-8 5	Flat washer 8	1
17	GB894.1-86	Shaft spring retaining ring 15	1	42		Opening retaining ring 5	1
18	GB97.1-85	washer 17×1.5	1	43	YK70.8-1 9-00	Knife bracket	1
19	YK70.8-08- 00	Support rod CP;1	1	44	YK70.8-1 4	knife	1
20	YK70.8-09- 00	bracket	1	45	GB/T3098 .9-2002	Nylon locking nut M8	1
21	YK70.8-10- 00	Support rod	1	46	GB/T 5280-20 02	Self-tapping screw M3×6	1
22	YK70.8-11	Nylon sleeve	5	47	GB5786-8 6	bolt M8×20 (8.8)	1
23	YK70.8-12	Torsion spring	1	48	GB97.1-8 5	Washer 8	1
24	YK70.8-13- 00	Pulley bracket CP:3	1	49	YK70.8-2 0	Rubber washer	1
25	JB/ZQ4340- 2006	Spring disc washer	3	50	YK70.8-2 1	Nylon washer	1

YK0850. YK0870 Round baler

Twine binding support Assy

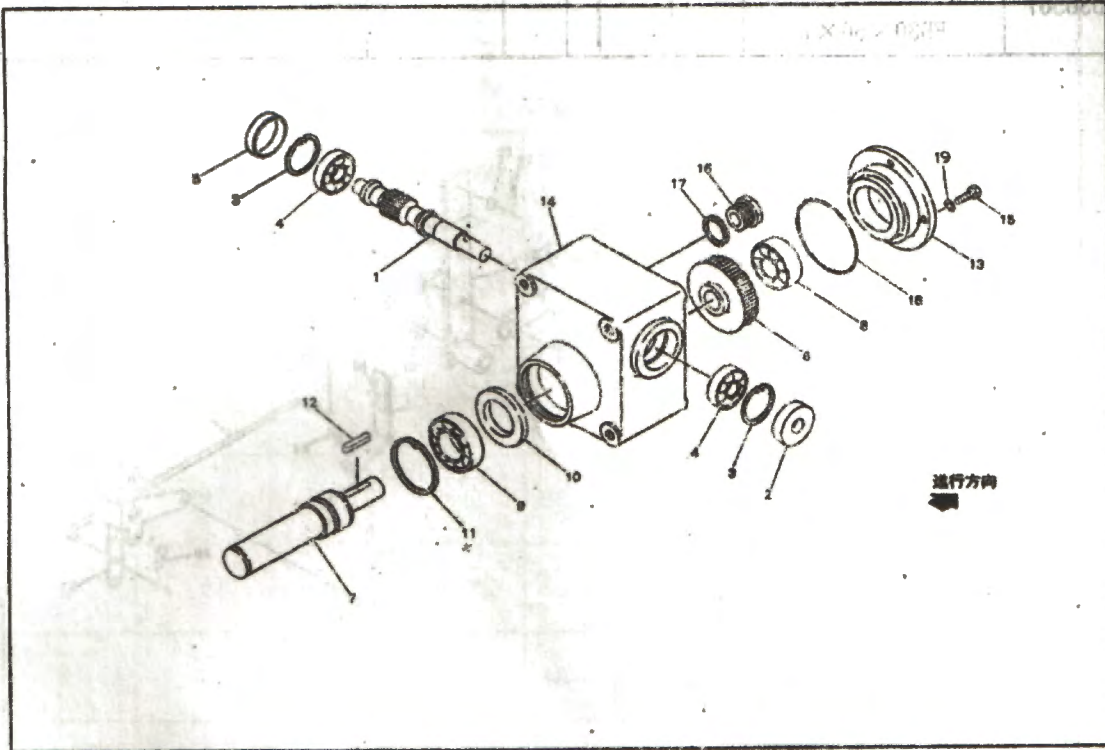


No	Drawing No.	name	quantity	No	Drawing No.	name	quantity
51	GB 819-1985	Cross Countersunk head screw M8×35 (10.9)	2	62	GB5786-86	bolt M8×20 (8.8)	2
52	GB/T3098.9-2002	Nylon locking nut M8	3	63		switch	1
53	GB/T3098.9-2002	Nylon locking nut M6	1	64	GBT 818-2000	Cross crew nut M4×30	2
54	YK70.8-22	plate	1	65	GB6710-86	nut M4 (8.8)	2
55	YK50.8-22	Plate YK0850	1	66	GB97.1-85	Flat washer: 4	2
56	GB5786-86	bolt M8X16 (8.8) YK0850	1		GB93-87	Spring washer :4	2
57	GB6710-86	nut M8(8.8) YK0850	1				1
58	GB97.1-85	Flat washer 16	1			Twine clamp	1
61	YK70.8-23	buzzer switch racket	1			Plastic clip :2.5×100	1

YK0850. YK0870 Round baler

reducer assy

减速器 AS



No.	Drawing No.	name	quantity	No.	Drawing No.	name	quantity
1	YK70.9-0 1	worm	1	11	GB893.1-86	Retaining ring 47	1
2	GBT 9877-200 8	Lip seal FB15×35×8	1	12	GB1096-7 9	Flat key 5×5×25 (A型)	1
3	GB893.1-86	Holes Circlips 35	2	13	YK70.9-0 5	cover	1
4	GB297-84	Bearing 6202	2	14	YK70.9-0 6	case	1
5	YK70.9-0 2	Sealing cover KRCA3507	1	15	GB5786-8 6	Bolt M6×16 (8.8)	4
6	YK7309-0 3	Wormgear	1	16	YK70.9-0 7	Oil port bolt	1
7	YK70.8-0 4	Worm-wheel shaft	1	17	YK70.9-0 8	Rubber washer	1

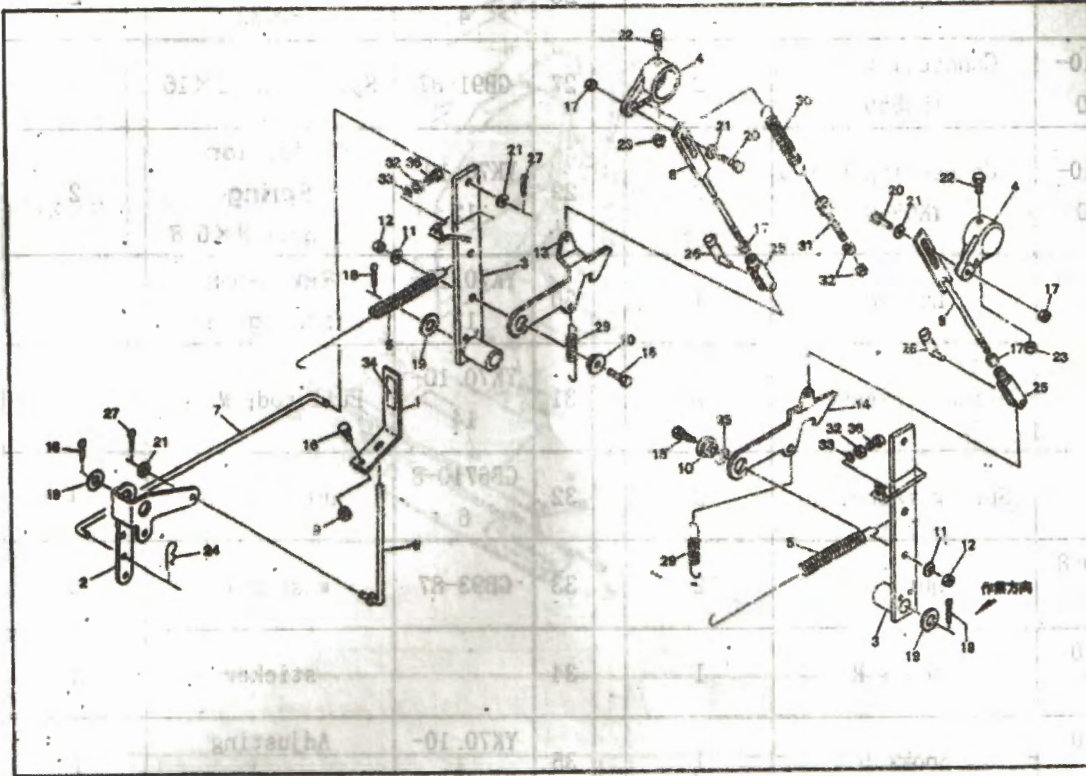
8	GB297-84	Bearing 6203	1	18	GB3452.1 -82	O-rubber seal G-60	1
9	GB297-84	Ball bearing 6005-2RS	1	19	GB93-87	Spring washer 6	4
10	D30507	Oil seal FB30×50×7	1				

Quantity	Name	Quantity	Name
1	Oil seal	1	Oil seal
1	Rolling cover	13	Rolling cover
1	Case	14	Case
4	Rolling cover	12	Rolling cover
1	Oil seal	10	Oil seal
1	Spring washer	17	Spring washer

YK0850. YK0870 Round baler

Topper cover rod

机架上连杆 AS



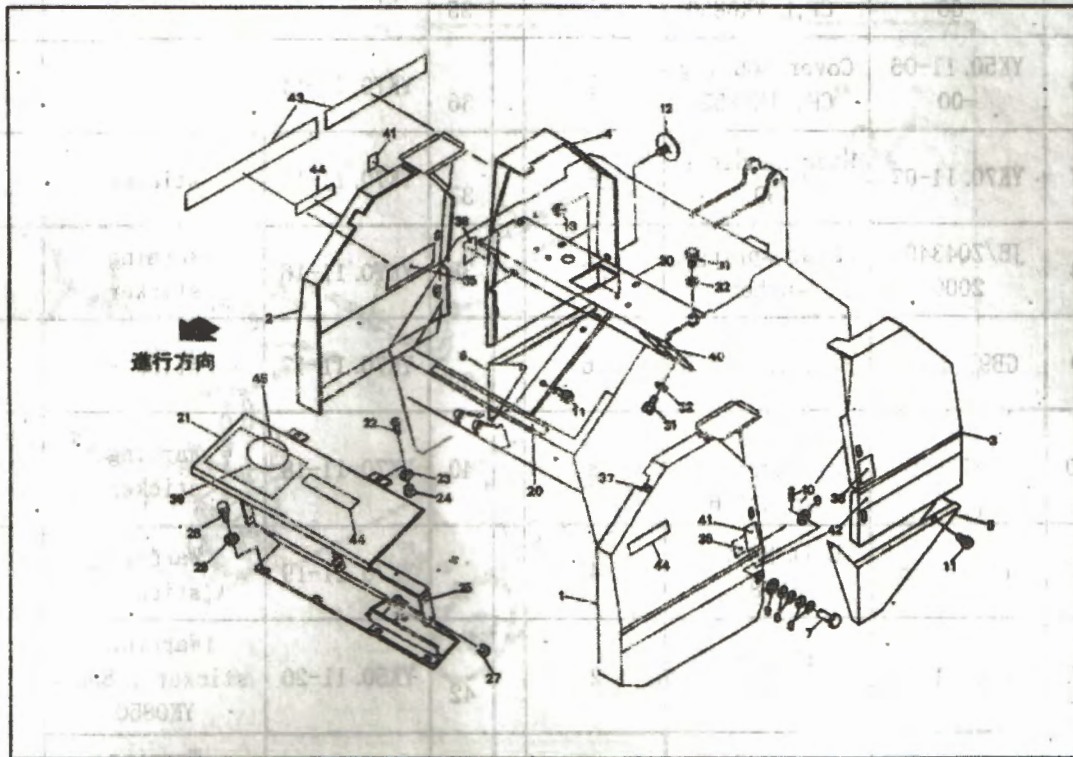
No	Drawing No.	name	quantity	No	Drawing No.	name	quantity
1	YK70.10-01	Indicator board	1	17	GB6710-86	nutM8 (8)	4
2	YK70.10-02	Fork plate	1	18	GB91-87	Split pin3.2×32	3
3	YK70.10-03-00	Connecting plate	2	19	GB97.1-85	平垫21×1.5 washer	3
4	YK70.10-04	Topper cover	2	20	GB5786-86	Bolt M8×25 (8.8)	2
5	YK50.10-05	extension spring YK0850	2	21	GB97.1-85	washer 8	4
	YK70.10-05	extension spring YK0870	2	22	GB5786-86	bolt M8×75 (8.8)	2
6	YK50.10-06-00	Indicator rod YK0850	1	23	GB/T3098.9-2002	Nylon locking nut M8	2

	YK70.10-06-00	Indicator rod YK0870	1	24		B-pin 8×1.6	1
7	YK50.10-07	Pull rod YK0850	1	25	YK70.7-1 3	Connecting yoke; 8×32	2
	YK70.10-07	Pull rod YK0870	1	26	YK70.7-1 4	Connecting pin; 8×32	2
8	YK50.10-08-00	Connecting rod YK0850	2	27	GB91-87	Split pin 3.2×16	2
	YK70.10-08-00	Connecting rod YK0870	2	29	YK70.10-12	Extension Spring ; 2.3×1 8×6 8	2
9	GB6710-86	nut M8	1	30	YK70.10-13	Extension Spring; H	1
10	YK70.10-09	Shaft sleeve	2	31	YK70.10-14	Pull rod; M1 0	1
11	GB93-87	Spring washer 10	2	32	GB6710-86	nut M10 (8)	4
12	GB6710-86	nut 10	2	33	GB93-87	washer 10	2
13	YK70.10-10	hook ; R	1	34		sticker	1
14	YK70.10-11	hook: L	1	35	YK70.10-15	Adjusting shim Φ10.5×0.27	-
15	GB5786-86	Bolt M10×35 (8.8)	2	36	GB5786-86	Bolt M10×35 (8.8)	2
16	GB5786-86	bolt M10×20 (8.8)	1				

1	YK70.10-06-00	Indicator rod YK0870	1	24		B-pin 8×1.6	1
2	YK50.10-07	Pull rod YK0850	1	25	YK70.7-1 3	Connecting yoke; 8×32	2
3	YK70.10-07	Pull rod YK0870	1	26	YK70.7-1 4	Connecting pin; 8×32	2
4	YK50.10-08-00	Connecting rod YK0850	2	27	GB91-87	Split pin 3.2×16	2
5	YK70.10-08-00	Connecting rod YK0870	2	29	YK70.10-12	Extension Spring ; 2.3×1 8×6 8	2
6	GB6710-86	nut M8	1	30	YK70.10-13	Extension Spring; H	1
7	YK70.10-09	Shaft sleeve	2	31	YK70.10-14	Pull rod; M1 0	1
8	GB93-87	Spring washer 10	2	32	GB6710-86	nut M10 (8)	4
9	GB6710-86	nut 10	2	33	GB93-87	washer 10	2
10	YK70.10-10	hook ; R	1	34		sticker	1
11	YK70.10-11	hook: L	1	35	YK70.10-15	Adjusting shim Φ10.5×0.27	-
12	GB5786-86	Bolt M10×35 (8.8)	2	36	GB5786-86	Bolt M10×35 (8.8)	2
13	GB5786-86	bolt M10×20 (8.8)	1				

YK0850. YK0870 Round baler

Cover

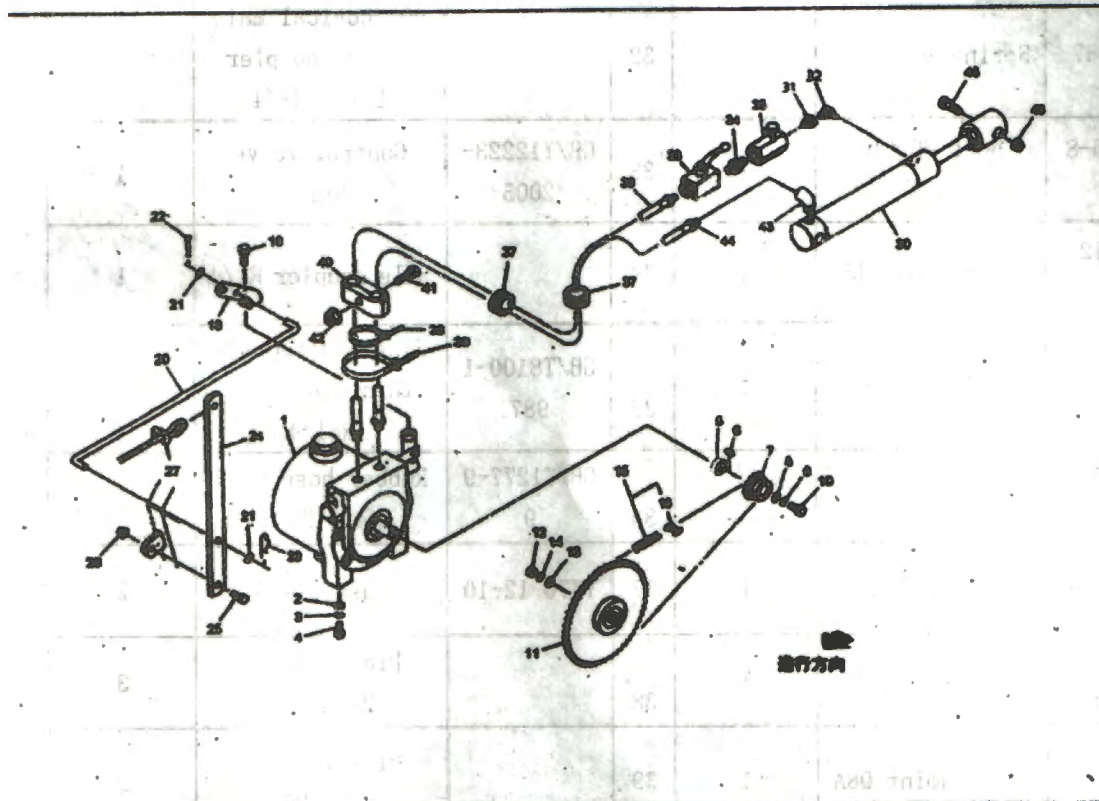


No	Drawing No.	name	quantity	No	Drawing No.	name	quantity
1	YK50.11-01-00	Front cover housing CP;L YK0850	1	26	GB5786-86	bolt M8×20 (8.8)	4
	YK70.11-01-00	Front cover housing CP;L YK0870	1	27	GB6710-86	nut M8	4
2	YK50.11-02-00	Front cover housing CP;R YK0850	1	28	GB5786-86	bolt M8×20 (8.8)	4
	YK70.11-02-00	Front cover housing CP;R YK0870	1	29	GB97.1-85	Flat washer 8	4
3	YK50.11-03-00	rear cover housing CP;L YK0850	1	30	YK50.11-12-00	Cover housing; CP YK0850	1
	YK70.11-03-00	Rear cover housing CP;L YK0870	1		YK70.11-12-00	Cover housing; CP YK0870	1
4	YK50.11-04-00	rear cover housing CP;R YK0850	1	31	GB5786-86	bolt M8×20 (8.8)	8

	YK70.11-04 -00	Rear cover housing CP; R YK0870	1	32	GB97.1-85	Flat washer8	8
5	YK50.11-05 -00	Cover housing CP;L YK0850	1	35	YK70.11-13	sticker	1
6	YK50.11-06 -00	Cover housing CP; YK0850	1	36	YK70.11-14	sticker	1
7	YK70.11-07	Star handle : 50	8	37	YK70.11-15	sticker	1
8	JB/ZQ4340-2006	Disc spring washer	32	38	YK70.11-16	Warning sticker	2
9	GB97.1-85	Flat washer 8	16	39	YK70.11-17	sticker	1
10	GB879-86	Spring cylindrical pin 4×16	8	40	YK70.11-18	Warning sticker	1
11	GB5786-86	Bolt M8×16 (8.8)	4	41	YK70.11-19	Warning sticker	2
12	YK70.11-08	reflector; R-80CI	2	42	YK50.11-20	Warning sticker ; 850L YK0850	1
13	GB6710-86	Nut M5	2		YK70.11-20	Warning sticker ; 870L YK0870	1
20	YK70.11-09	magnet	1	43	YK50.11-21	Warning sticker ; 850R YK0850	1
21	YK50.11-10 -00	gate; CP YK0850	1		YK70.11-21	Warning sticker ; 870R YK0870	1
	YK70.11-10 -00	gate; CP YK0870	1	44	YK70.11-22	Name of manufacturer	3
22	GBT 818-2000	cross head screw M6×12	2	45	YK70.11-23	sticker	1
23	GB97.1-85	Washer 6	2	46	YK70.11-24	sticker	1
24	GB6710-86	Nut M6	2		GB93-87	Spring washer:5	2
25	YK50.11-11 -00	Cover box CP YK0850	1				
	YK70.11-11 -00	Cover box CP YK0870	1				

YK0850. YK0870 Round baler

Hydraulic pump assy



No	Drawing No.	name	quantity	No	Drawing No.	name	quantity
1	YK70. 12-04-00	Hydraulic pump station ; 95R	1	22	GB91-87	Split pin 3.2×16	1
2	GB97.1-85	Washer 10	2	23		B-pin 8×1.6	1
3	GB93-87	Spring wahser 10	2	24	YK70. 12-07	plate	1
4	GB5786-86	boltM10×25 (8, 8)	2	25	GB5786-86	bolt M8×25 (8.8)	1
5	YK70. 12-01	Check sleeve	1	26	GB/T3098.9-2002	Nylon locking nut M8	1
6	GB1096-79	Flat key5×5×20 (B type)	1	27	YK70. 12-08	Nylon rope 6×3500	1
7	YK70. 12-02	Small pulley 9T	1	30	YK70. 12-09-00	Cylinder CSH35×210×375	1

8	GB97.1-8 5	Washer 6	1	31		Conical female and male outside coupler G1/4×R1/4	1
9	GB93-87	Spring washer 6	1	32		90° conical male inside coupler G1/4×R1/4	1
10	GB5786-8 6	bolt M6×16 (8.8)	1	33	GB/T12223- 2005	Control valve Rc1/4	1
11	YK70.12- 03	Large pulley 43T	1	34		male coupler R1/4	1
12	GB6710-8 6	nutM12 (8.8)	1	35	GB/T8100-1 987	Single-direction throttle valve Rc1/4	1
13	GB97.1-8 5	washer: 13×4.5	1	36	GB/T1277-9 9	Rubber hose G1 / 4×1000	2
14	GB93-87	Spring washer 12	1	37	YK70.12-10	bush; Φ35	2
15	GB/T1243 -2006	chain08A-36×1	1	38		Plastic hoop 2.5×100	3
16	GB/T1243 -2006	Chain joint 08A	1	39		Plastic hoop 4.8×251	2
18	YK70.12- 05	Conneting board	1	43		90° conical male inside coupler G1/4×R1/4	4
19	GB5786-8 6	Bolt M8×16 (8.8)	1	44		90° female coupler G1/4	2
20	YK70.12- 06	Connecting rod	1	45	GB5786-86	bolt M16×80 (8.8)	2
21	GB97.1-8 5	Washer 8	2	46	GB/T3098.9 -2002	Nylon locking nut M6	2